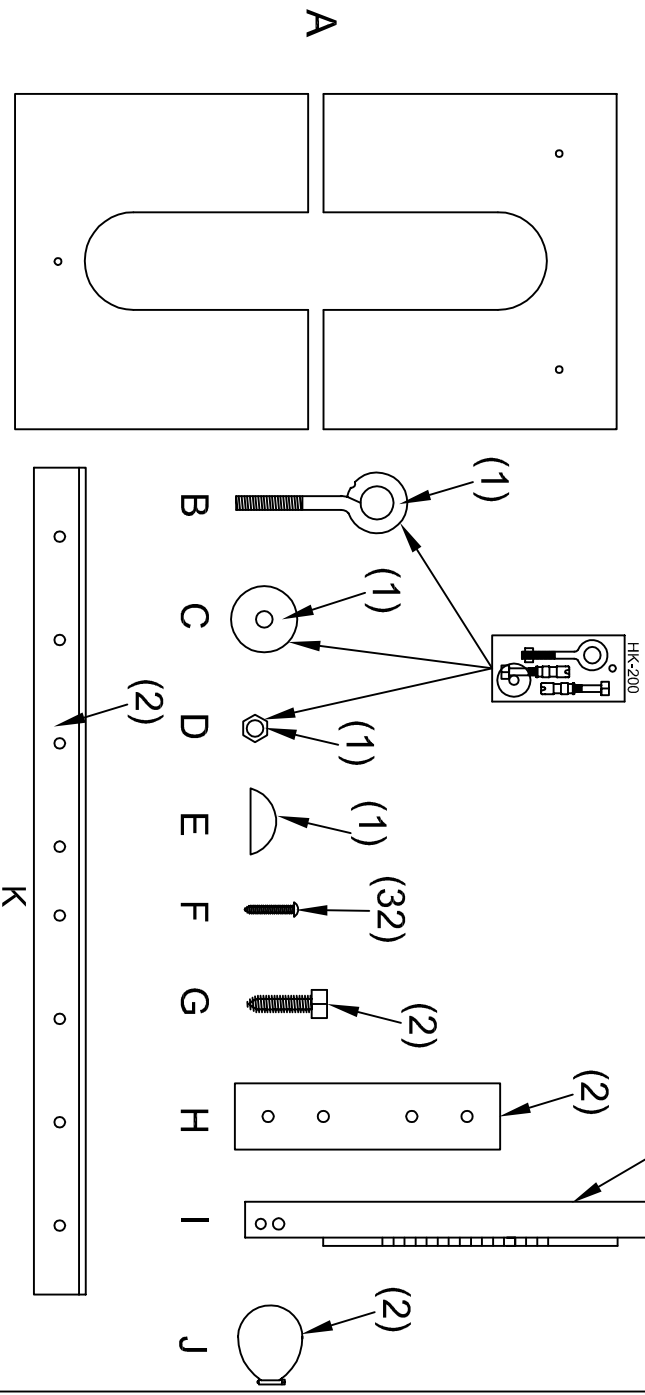
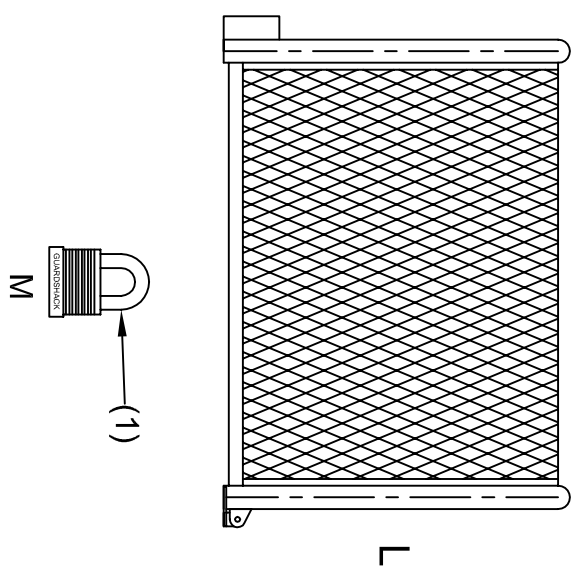


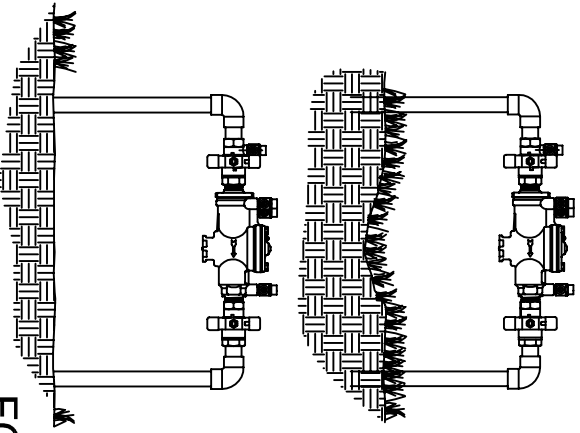
# ENCPAD ASSEMBLY PARTS



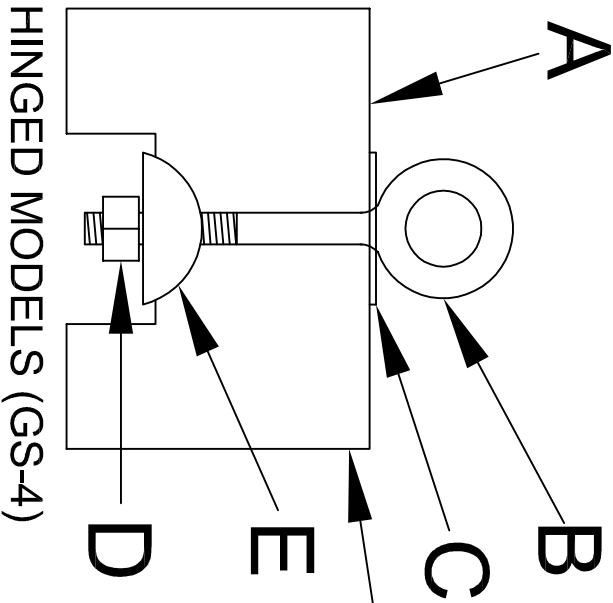
GUARDSHACK, LSB, AND LOCKS SOLD SEPARATELY



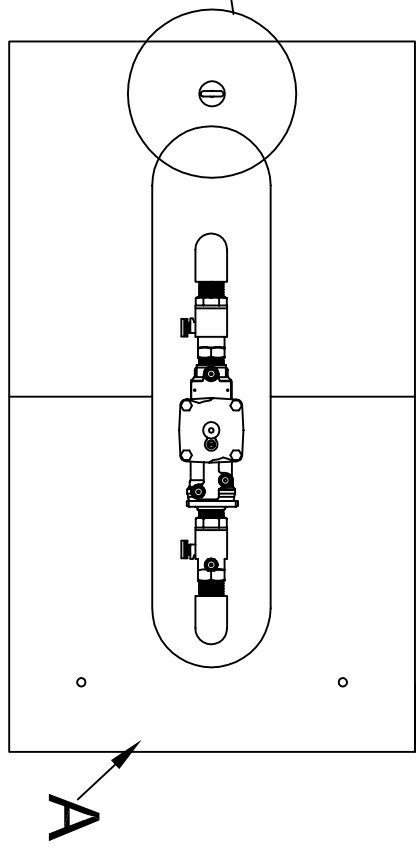
## STEP 1 LEVEL GROUND



## STEP 2 ATTACH EYE-BOLT



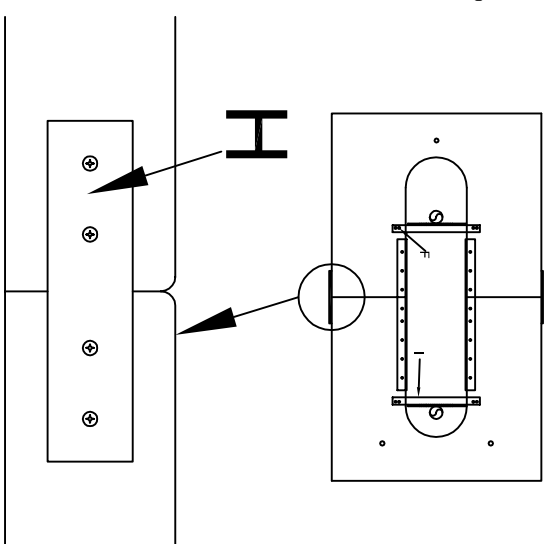
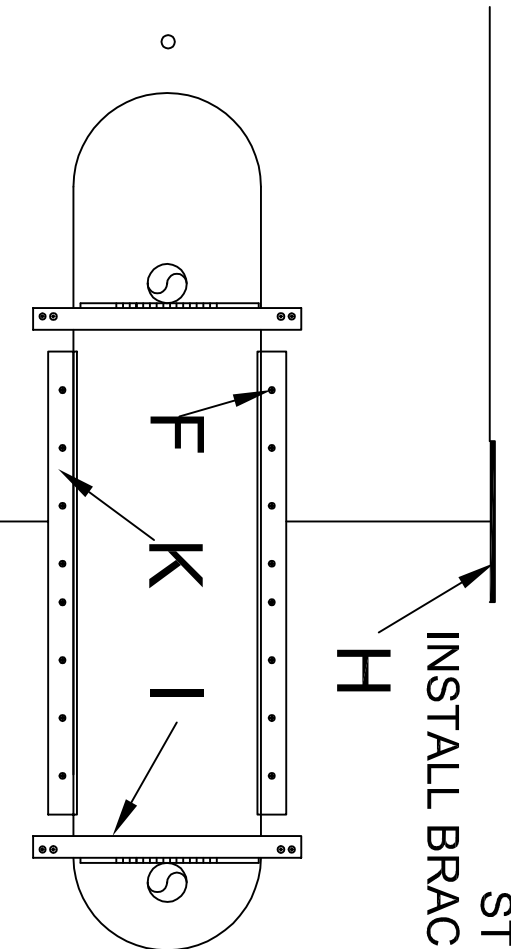
## STEP 3 POSITION PAD



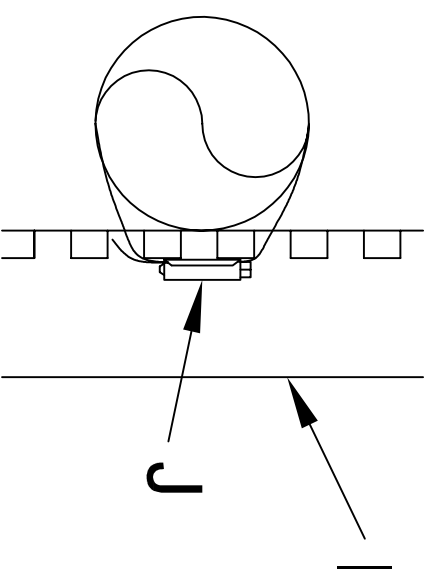
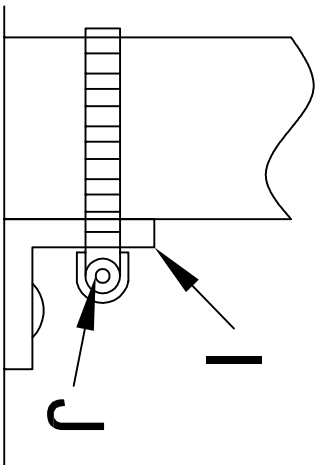
FOR HINGED MODELS (GS-4)

WWW.GUARDSHACKENCLOSURES.COM  
(602) 426-1002 (800) 266-5411

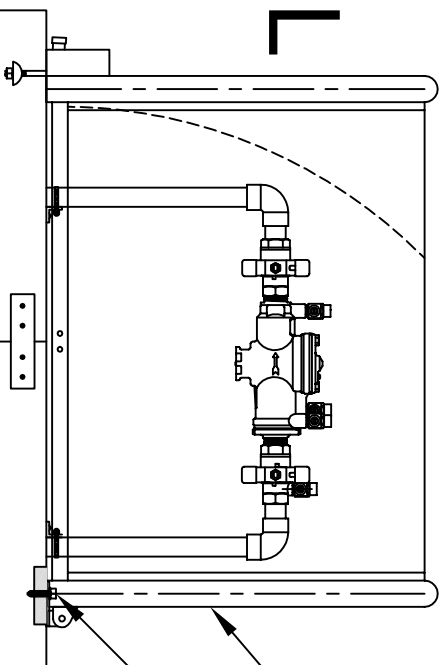
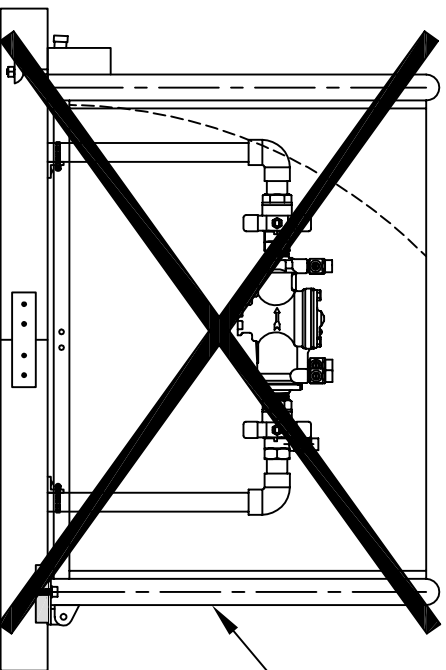
**STEP 4  
INSTALL BRACKETS & BRACES**



**STEP 5  
INSTALL CLAMP**



**STEP 6  
INSTALL GUARDSHACK & LOCK**



**DON'T FORGET THE LOCK**

