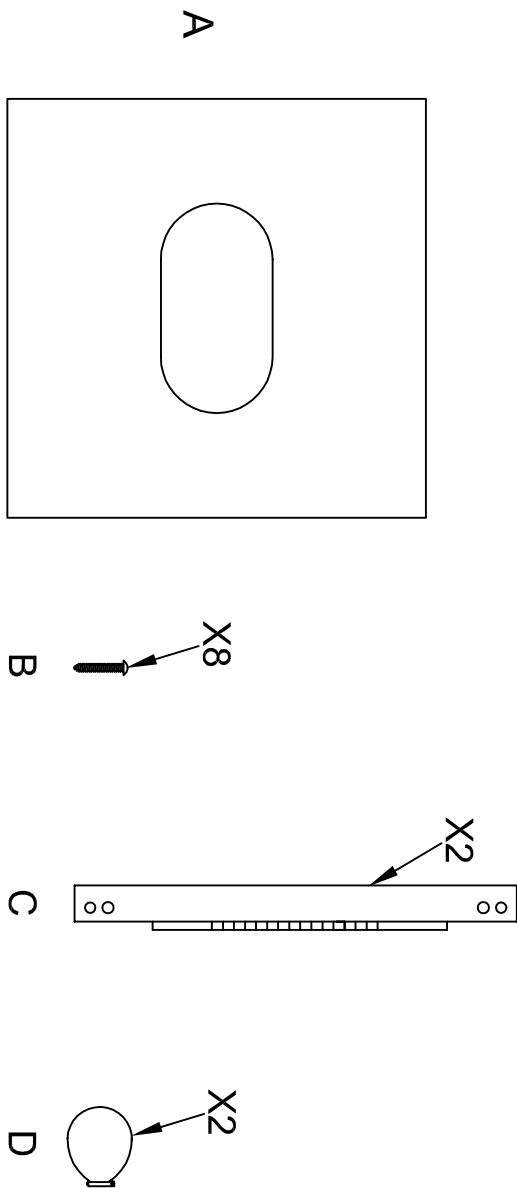
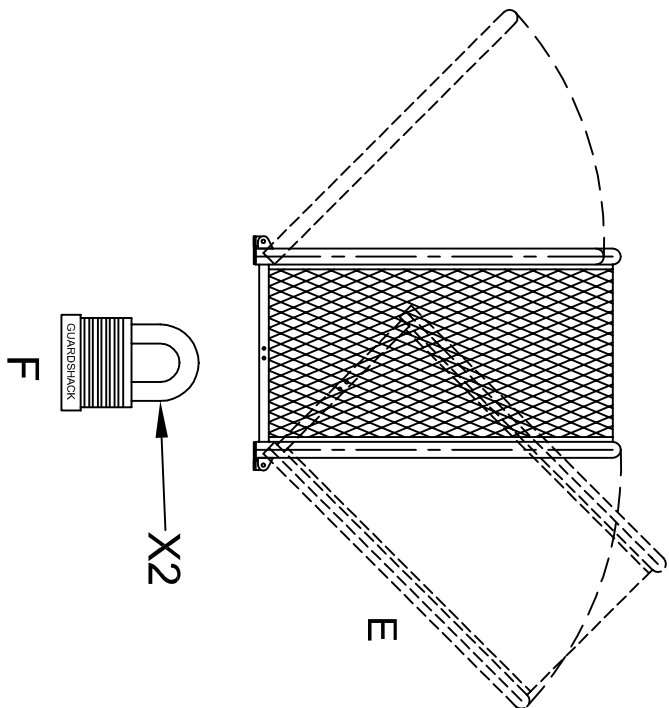


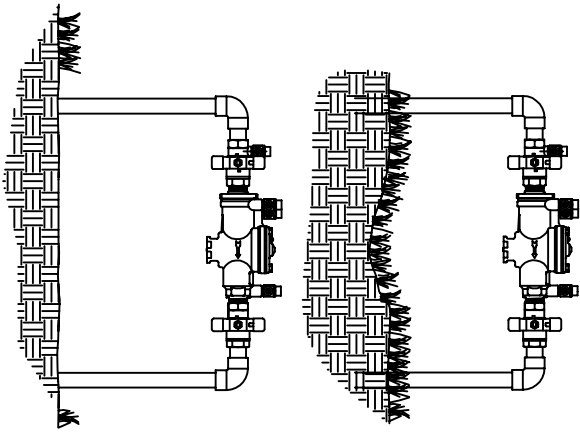
ENCPAD ASSEMBLY PARTS



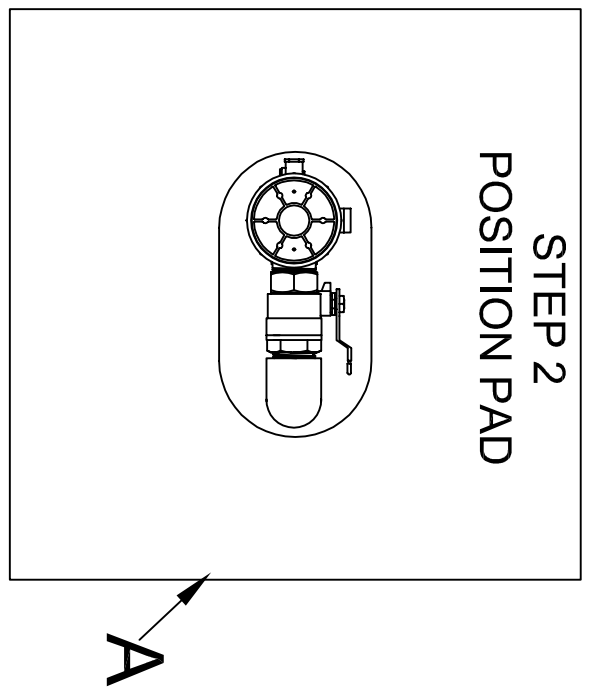
GUARDSHACK AND LOCKS SOLD SEPARATELY



STEP 1 LEVEL GROUND



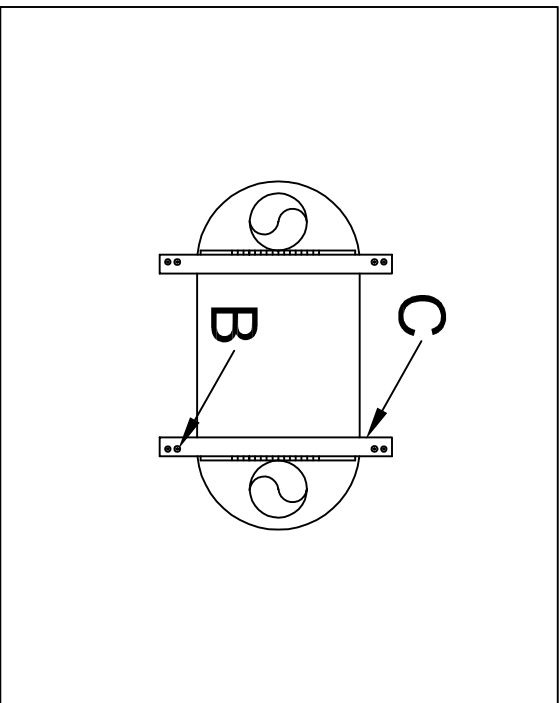
STEP 2 POSITION PAD



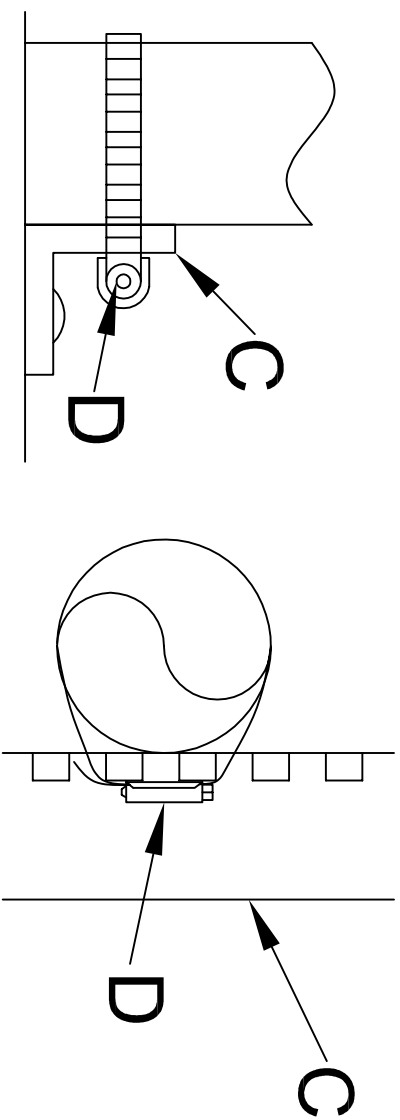
FOR SMALL GATED MODELS

WWW.GUARDSHACKENCLOSURES.COM
(602) 426-1002 (800) 266-5411

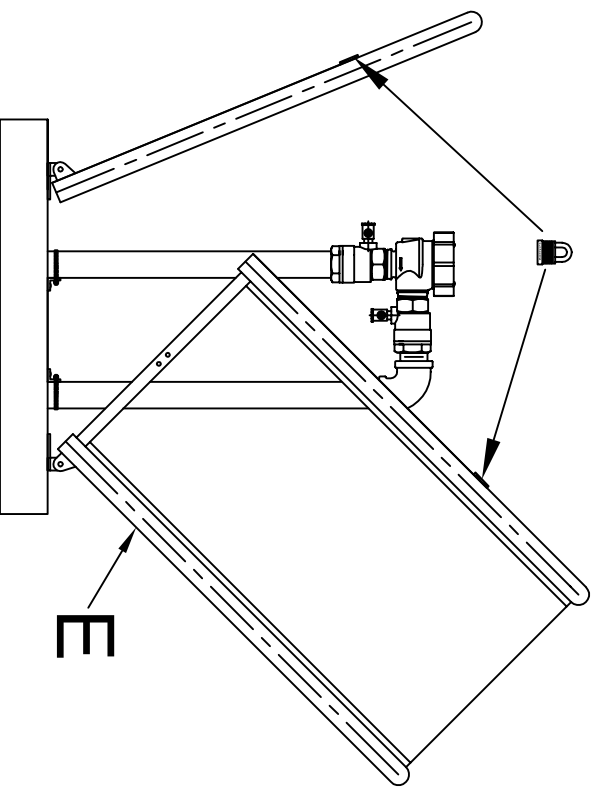
**STEP 3
INSTALL BRACKETS & BRACES**



**STEP 4
INSTALL CLAMP**



**STEP 5
INSTALL GUARDSHACK & LOCKS**



DON'T FORGET THE LOCKS

