

HK - 300

HARDWARE FOR GUARDSHACK™ SMALL 2 PIECE MODELS

GuardshackEnclosures.com

(602) 426-1002

(800) 266-5411



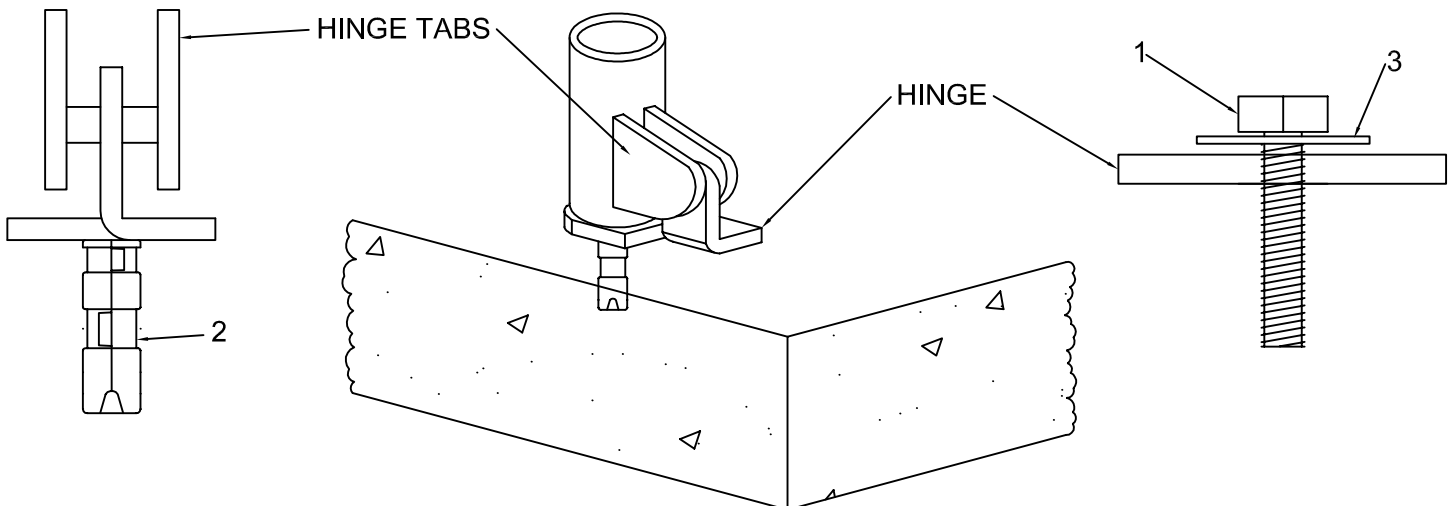
NEW IMPROVED
HIDDEN ANCHOR HINGE



RECOMMENDED INSTALLATION

Dry Install

- | | | |
|---|---|------------------------------|
| ① | 2 | 3/8" Stainless Hex Head Bolt |
| ② | 2 | 3/8" Expansion Anchor |
| ③ | 2 | 1" Fender Washer |



Hardware will be furnished as shown on page 1 for installation.

To install unit on an existing concrete pad:

1) Place both sections of the enclosure body (or one section and gate) on pad, making sure each piece will function. Mark location of hinges. FIG. 1

2) Mark locations to be drilled for anchors, making sure to align hinges with existing marks; 4 per enclosure. FIG. 1

3) Using a $\frac{5}{8}$ " concrete bit, drill holes for anchors a minimum of $2\frac{1}{4}$ " deep.

4) Insert $\frac{3}{8}$ " x 2" long bolts into washer and hinge as shown on page 1 then thread anchors partially onto bolt.

5) Insert bolts and anchors into holes, tap with hammer until flush, and tighten securely. FIG. 2

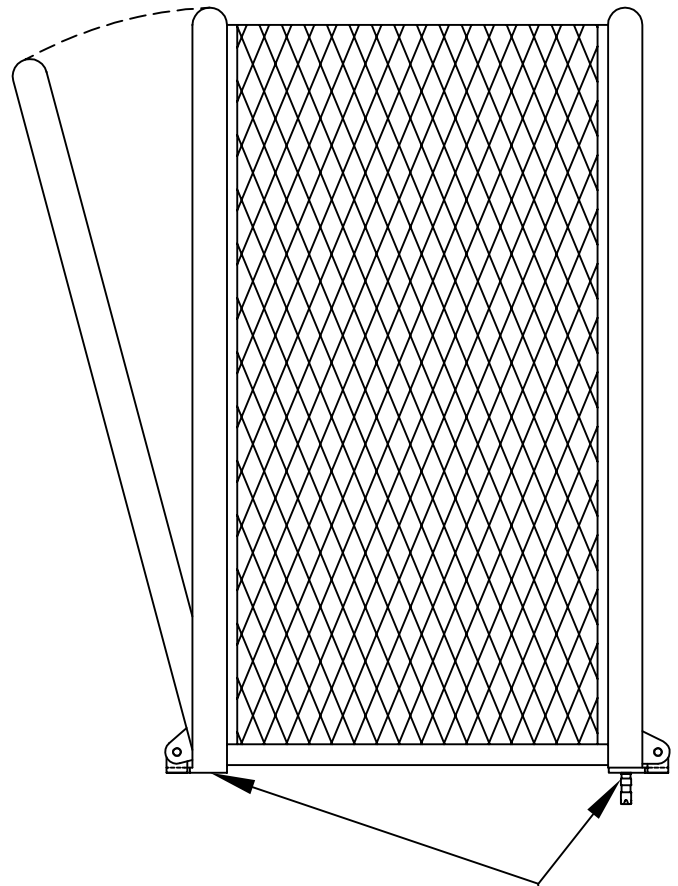


FIG. 1
HINGE

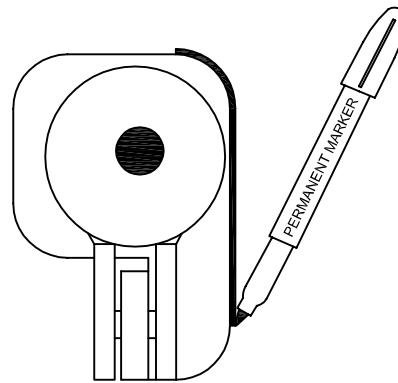


FIG. 2

