

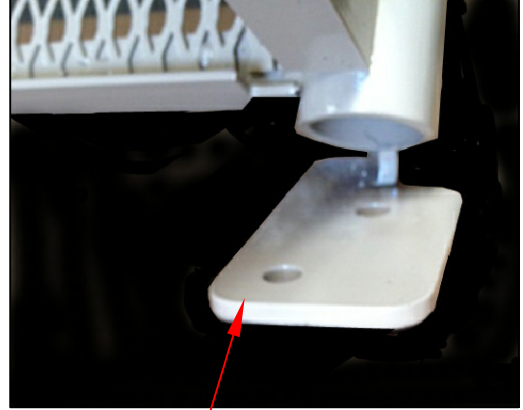
HK - 700

HARDWARE FOR GUARDSHACK™ 2 PIECE MODELS

GuardshackEnclosures.com

(602) 426-1002

(800) 266-5411



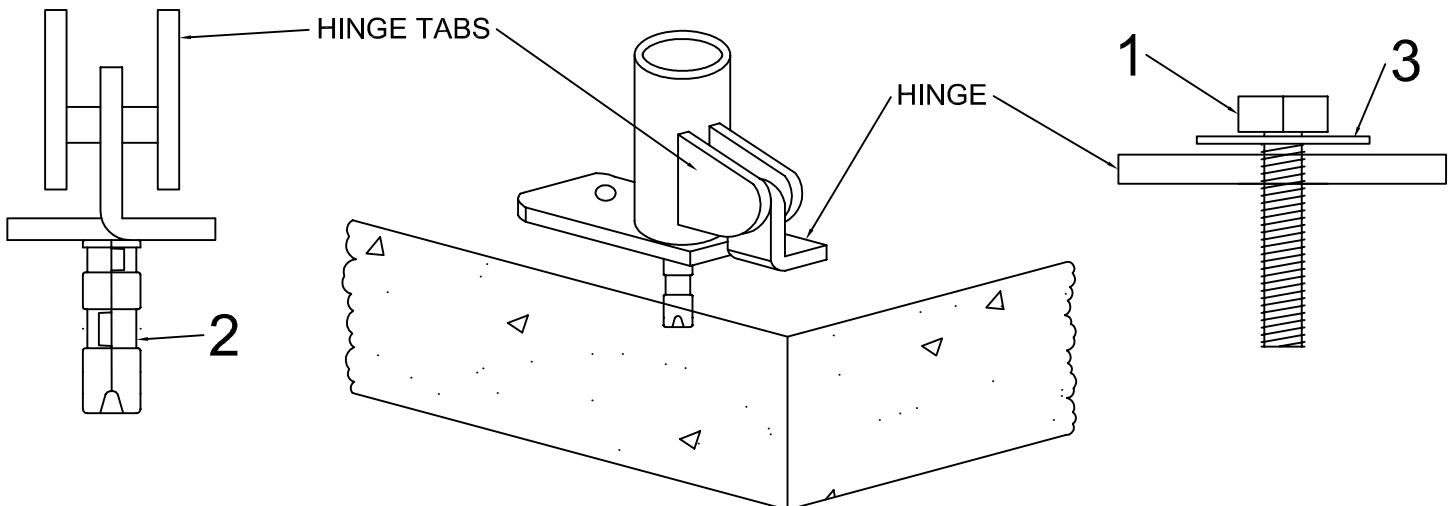
NEW IMPROVED
HIDDEN ANCHOR HINGE



RECOMMENDED INSTALLATION

Dry Install

- | | | |
|---|---|------------------------------|
| ① | 4 | 3/8" Stainless Hex Head Bolt |
| ② | 4 | 3/8" Expansion Anchor |
| ③ | 4 | 1" Fender Washer |



Hardware will be furnished as shown on page 1 for installation.

To install unit on an existing concrete pad:

- 1) Place both sections of the enclosure body (or one section and gate) on pad, making sure each piece will function. Mark location of hinges. FIG. 1
- 2) Mark locations to be drilled for anchors, making sure to align hinges with existing marks; 2 per hinge. FIG. 1
- 3) Using a $\frac{5}{8}$ " concrete bit, drill holes for anchors a minimum of $2\frac{1}{4}$ " deep.
- 4) Insert $\frac{3}{8}$ " x 2" long bolts into washer and hinge as shown on page 1 then thread anchors partially onto bolt.
- 5) Insert bolts and anchors into holes, tap with hammer until flush, and tighten securely. FIG. 2

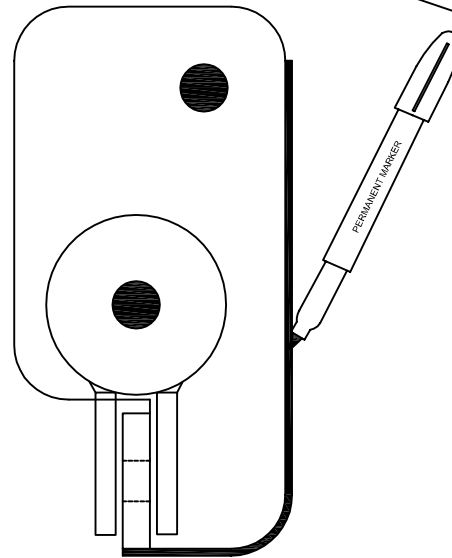
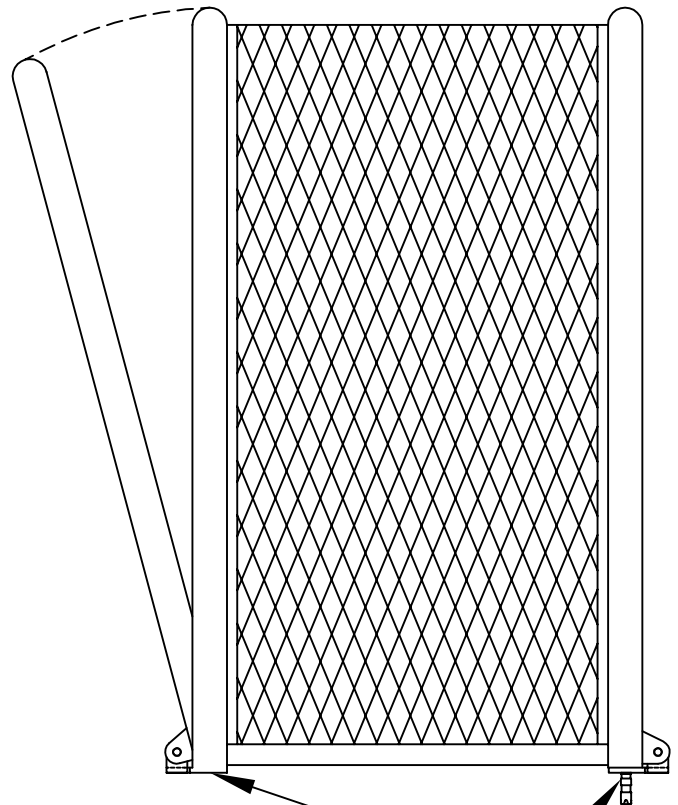


FIG. 1

FIG. 2

