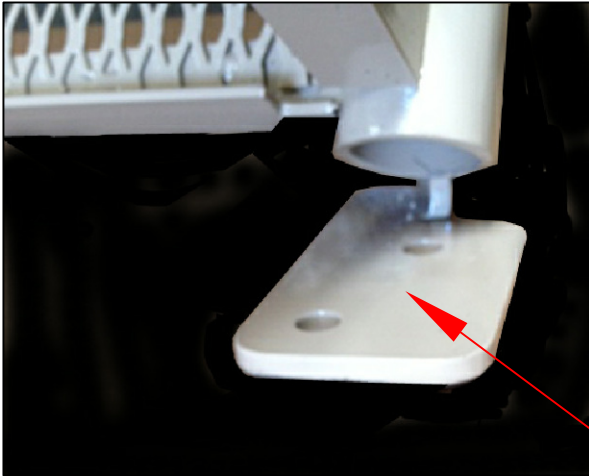


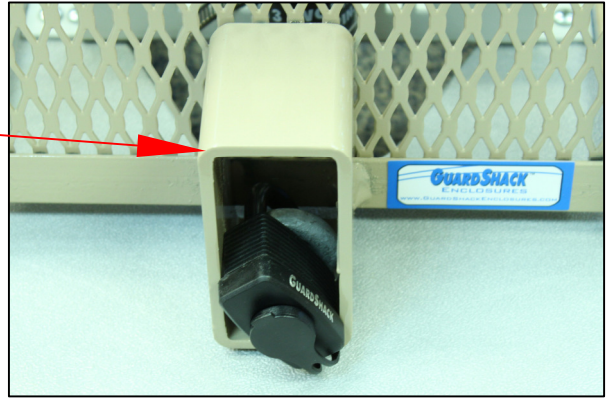
Hardware For GS-9

HARDWARE FOR GUARDSHACK™ LARGE CLAMSHELL MODELS

GuardshackEnclosures.com
(602) 426-1002
(800) 266-5411



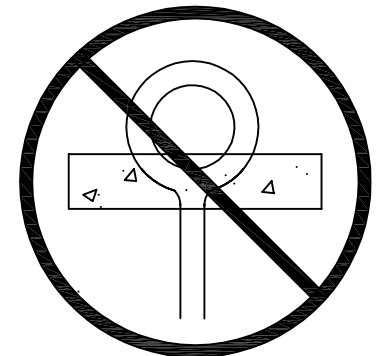
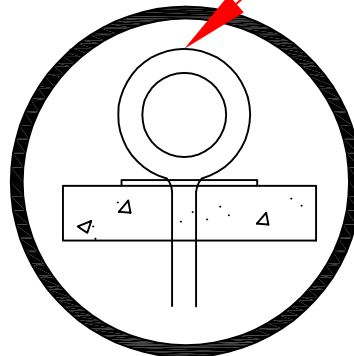
NEW IMPROVED
LOCK SHIELD



NEW IMPROVED
HIDDEN ANCHOR
HINGES

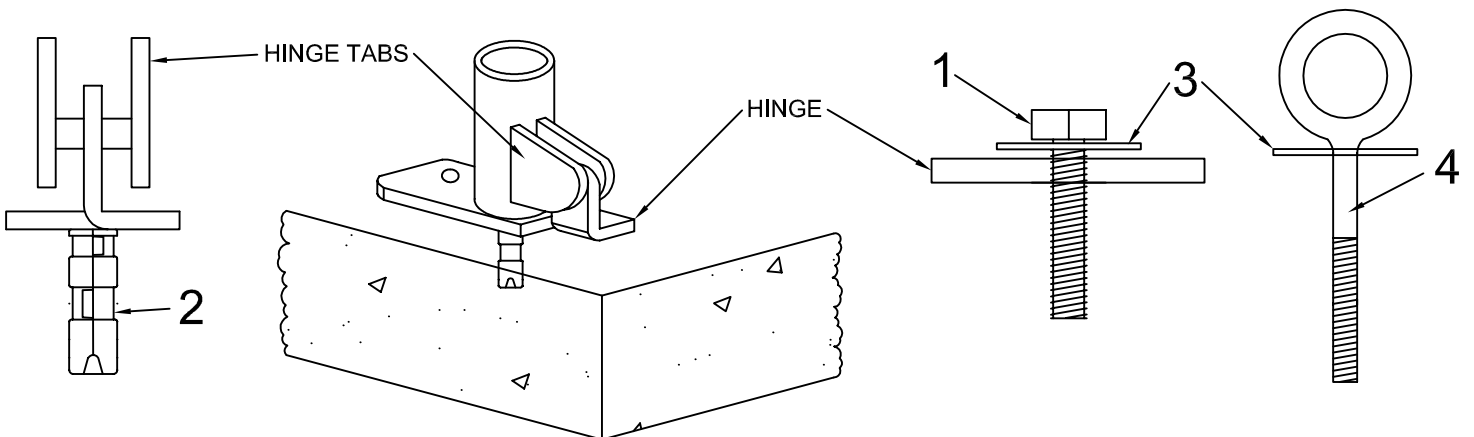
NEW IMPROVED
FORGED EYEBOLT

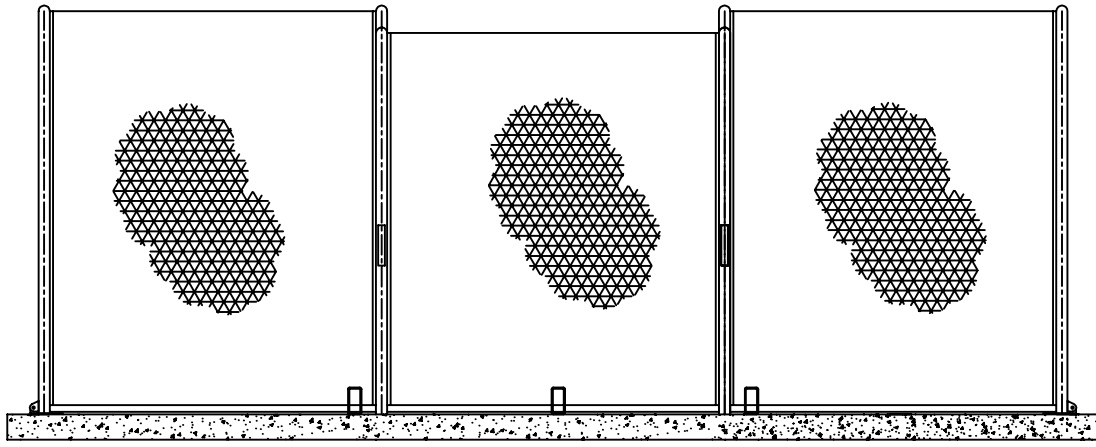
Qty	Hardware
① 8	3/8" x 2" TAP BOLT
② 14	3/8" EXPANSION ANCHOR
③ 14	1" FLAT WASHER
④ 6	3/8" X 2 1/2" FORGED EYEBOLT



Installation Suggestion

Do not counter sink the EYE BOLT. Place washer so the entire eyelet is visible above the pad.





Hardware will be furnished as shown on page 1 for installation.

To install unit on an existing concrete pad:

1) Place smaller center section of the enclosure body on pad, centering the enclosure on the backflow. Mark locations to be drilled for anchors one for each eyebolt.

2) Place both end sections of the enclosure on pad telescoped to your preference, making sure each piece will function. Mark location of hinges. FIG. 1

3) Mark locations to be drilled for hinge anchors, making sure to align hinges with existing marks; 2 per hinge. FIG. 1

3) Using a 5/8" concrete bit, drill holes for anchors a minimum of 2 1/2" deep.

5) Insert 3/8" x 2" long bolts into washer and hinge as shown on page 1 then thread anchors partially onto bolt.

4) Insert bolts and anchors into holes, tap with hammer until flush, and tighten securely. FIG. 2

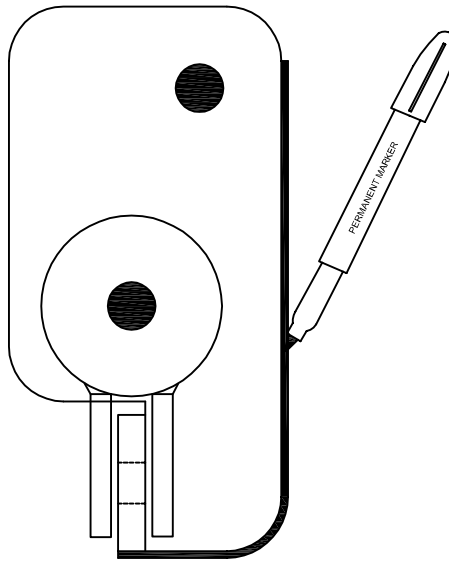


FIG. 1

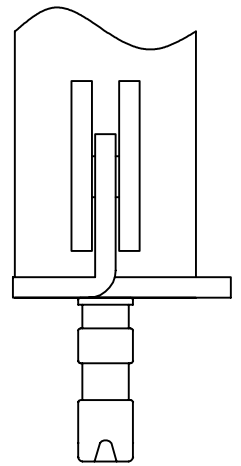


FIG. 2

