

# HK - 200

## HARDWARE FOR GUARDSHACK™ HINGED MODELS



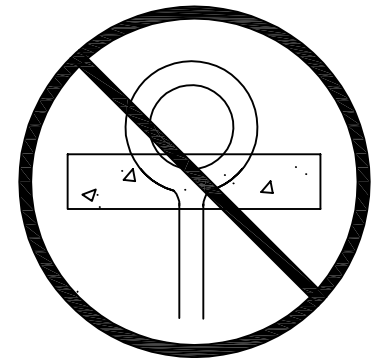
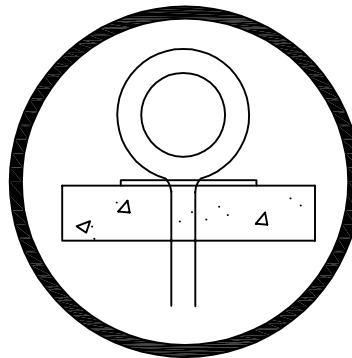
GuardshackEnclosures.com  
(602) 426-1002  
(800) 266-5411

NEW IMPROVED  
HIDDEN ANCHOR HINGE



### RECOMMENDED INSTALLATION

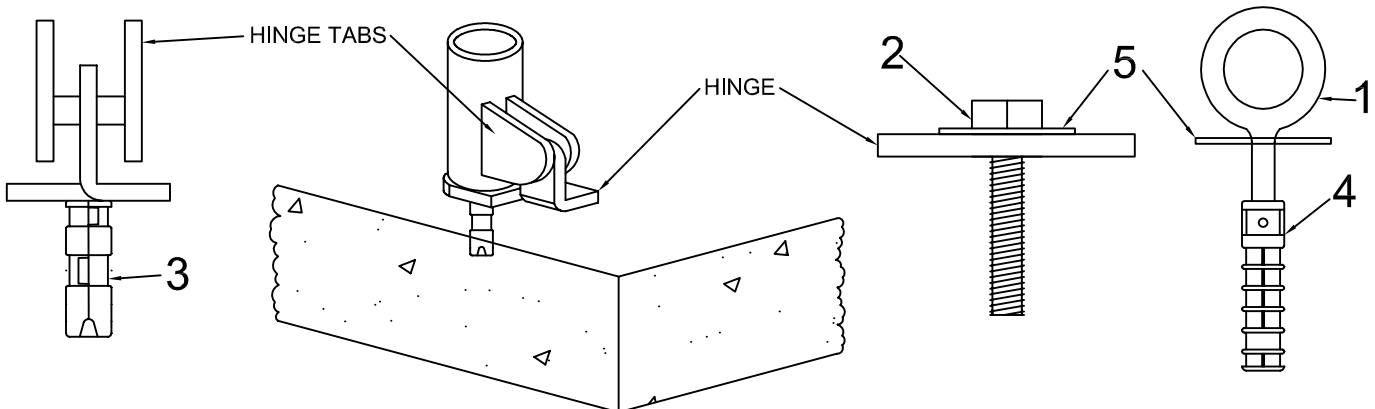
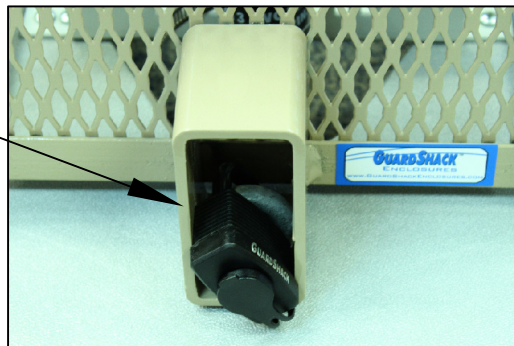
	Qty	Dry Install
①	1	3/8" x 3" Eyebolt
②	2	3/8" Stainless Hex Head Bolt
③	2	3/8" Expansion Anchor
④	1	3/8" Lag Shield
⑤	3	1" Fender Washer



#### Installation Suggestion

Do not counter sink the EYE BOLT. Place washer so the entire eyelet is visible above the pad.

NEW IMPROVED  
STANDARD LSB



Hardware will be furnished as shown on page 1 for installation.

## To install unit on an existing concrete pad:

1) Place the enclosure on pad with hinges closest to the device. Mark location of hinges and Eye Bolt. FIG. 1 - FIG. 2

2) Hinge enclosure open and align with the existing hinge markings, then mark locations to be drilled for anchors. FIG. 1

3) Using a  $\frac{5}{8}$ " concrete bit, drill holes for anchors a minimum of  $3\frac{1}{4}$ " deep (3 per enclosure).

4) Inset Lag Shield into hole for Eye bolt tighten Eye bolt securely. FIG 2

5) Insert  $\frac{3}{8}$ " x 2" long bolts into washer and hinge as shown on page 1 then thread anchors partially onto bolt.

6) Insert bolts and anchors into holes, tap with hammer until flush, and tighten securely. FIG 3

## To install unit on a new concrete pad:

(1) For installation on a new concrete pad (Wet Install) it is recommended the use of an appropriate enclosure setter.

