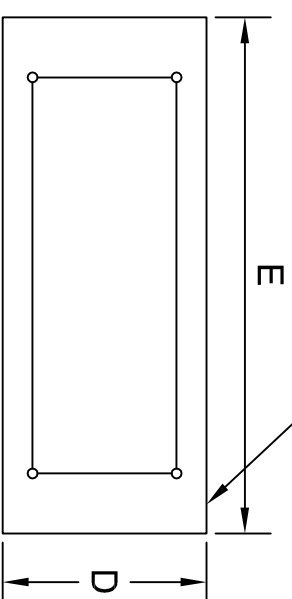


WELD-ON  
LOCK SHIELD  
BRACKET (2)

CONCRETE PAD  
3" THICK MIN.

INTERNAL DIMENSIONS					
	A	B	C	D	E
GS-.5	10"	18"	12"	20"	24"
GS-1	10"	24"	22"	20"	34"
GS-2	10"	24"	30"	20"	42"
GS-3.3	16"	30"	30"	26"	42"

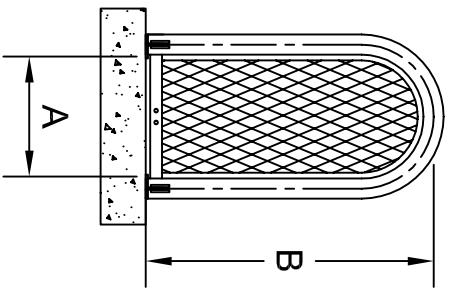


FOR SPECIFICATIONS SEE DRAWING BPD1-5.0

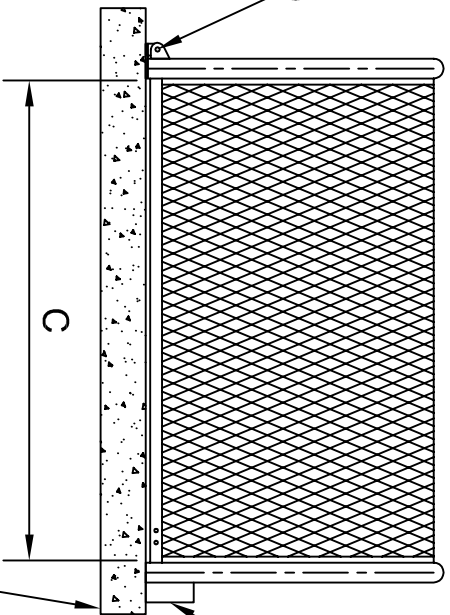
BACKFLOW PREVENTION DEVICE ENCLOSURES  
3831 E. GROVE STREET  
PHOENIX, ARIZONA 85040 (602) 426-1002

**GUARDSHACK™ SMALL ENCLOSURE**  
PAD SIZING

SCALE: 1" = 1'  
DETAIL NO.  
BPD1- 112508-1  
REV. 0



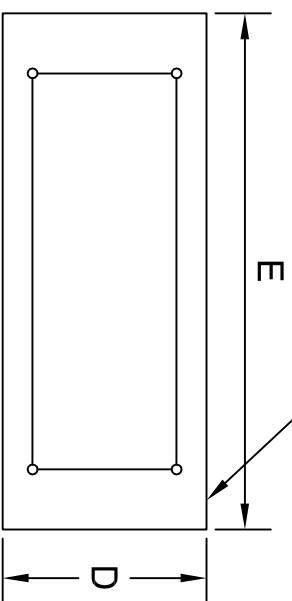
STANDARD  
HINGES (2)



WELD-ON  
LOCK SHIELD  
BRACKET

CONCRETE PAD  
3" THICK MIN.

INTERNAL DIMENSIONS					
	A	B	C	D	E
GS-3	10"	24"	40"	20"	52"
GS-4	16"	30"	46"	26"	58"

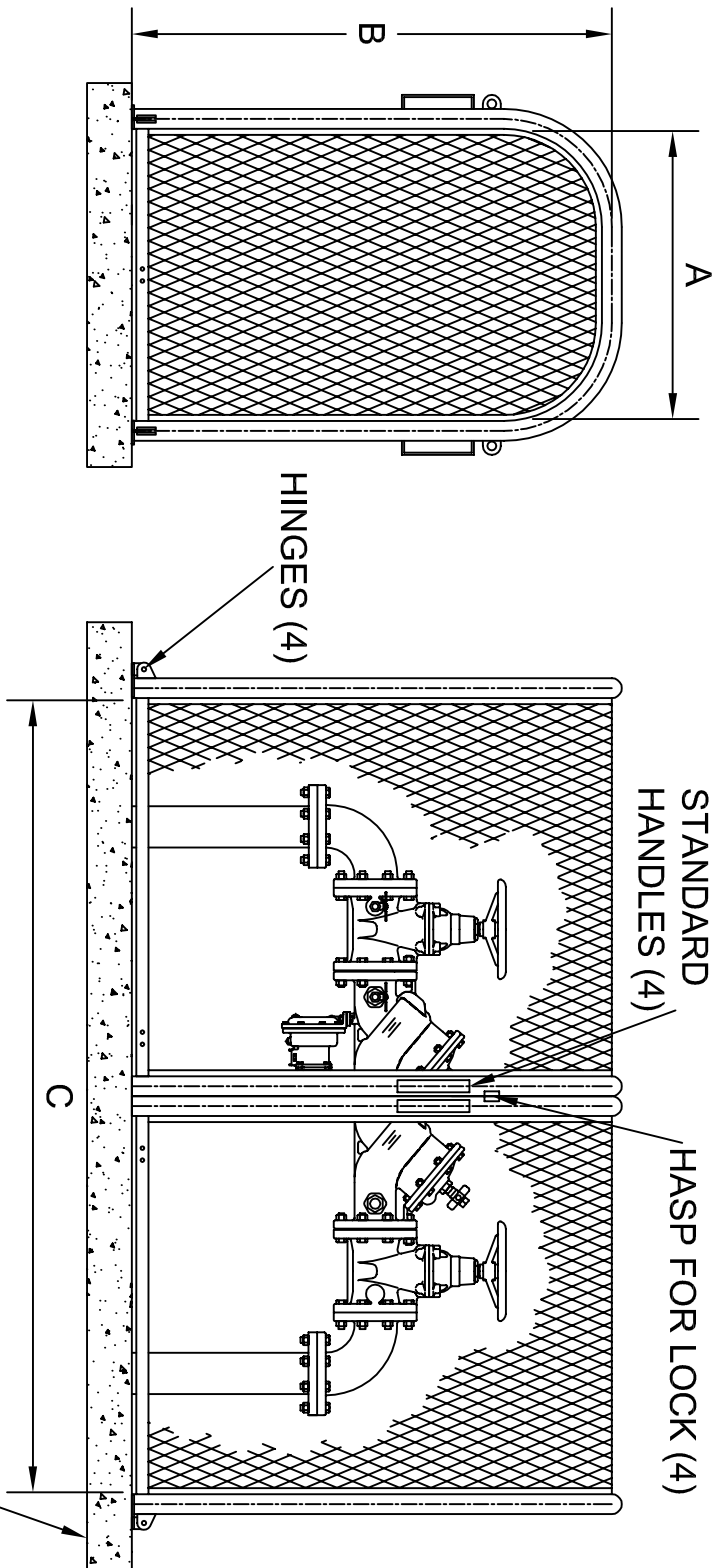


FOR SPECIFICATIONS SEE DRAWING BPD1-5.0

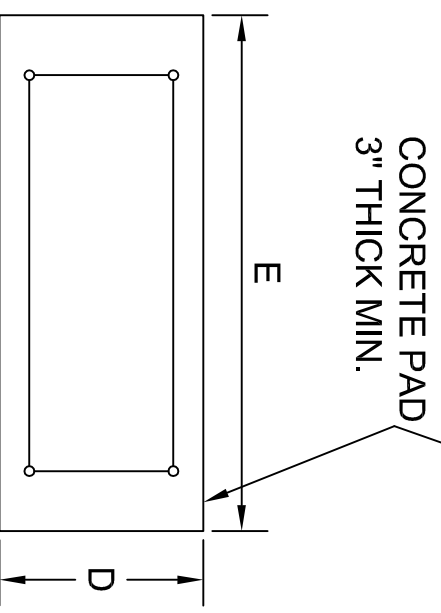
BACKFLOW PREVENTION DEVICE ENCLOSURES  
3831 E. GROVE STREET  
PHOENIX, ARIZONA 85040 (602) 426-1002

**GUARDSHACK™ HINGED ENCLOSURE**  
PAD SIZING

SCALE: 1" = 1'  
DETAIL NO.  
BPD1- 112508-1  
REV. 0



INTERNAL DIMENSIONS					
	A	B	C	D	E
GS-4.5	16"	30"	64"	26"	76"
GS-5	24"	40"	66"	34"	78"
GS-6	24"	40"	80"	34"	92"
GS-7	30"	48"	99 1/2"	40"	112"
GS-8	38"	60"	99 1/2"	48"	112"
GS-8.5	38"	60"	120"	48"	132"

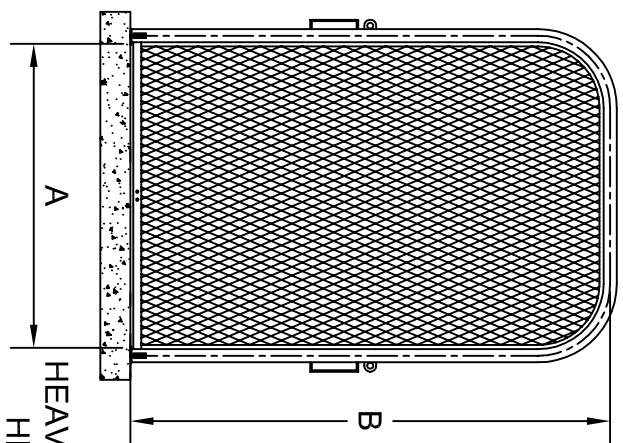
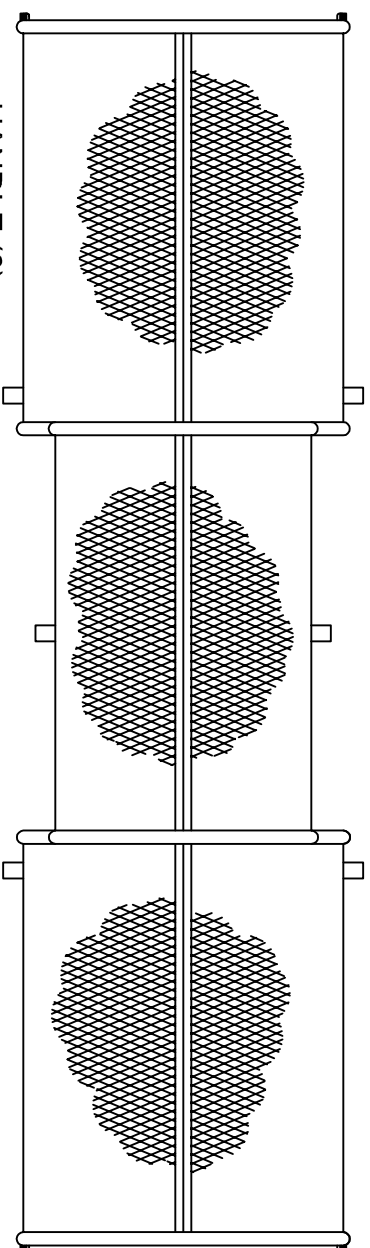


FOR SPECIFICATIONS SEE DRAWING BPD1-5.0

BACKFLOW PREVENTION DEVICE ENCLOSURES  
 3831 E. GROVE STREET  
 PHOENIX, ARIZONA 85040 (602) 426-1002

# GUARDSHACK™ CLAMSHELL PAD SIZING

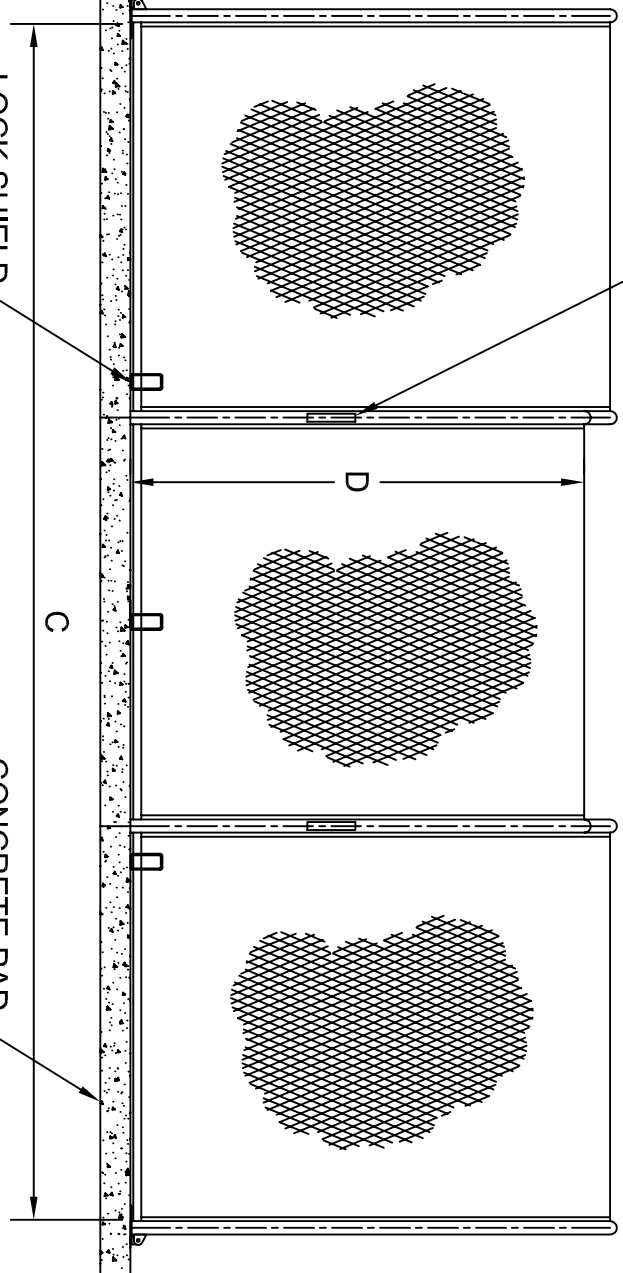
SCALE: 3/4" = 1'  
 DETAIL NO.  
 BPD1- 112508-2  
 REV. 0



HEAVY DUTY HINGE (4)

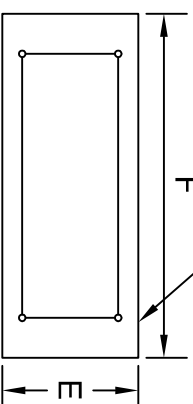
LOCK SHIELD BRACKET (6)

CONCRETE PAD 3" THICK MIN.



MODEL	A	B	C	D	E	F
GS-9	38"	60"	149 1/2"	56 3/4"	48"	162"

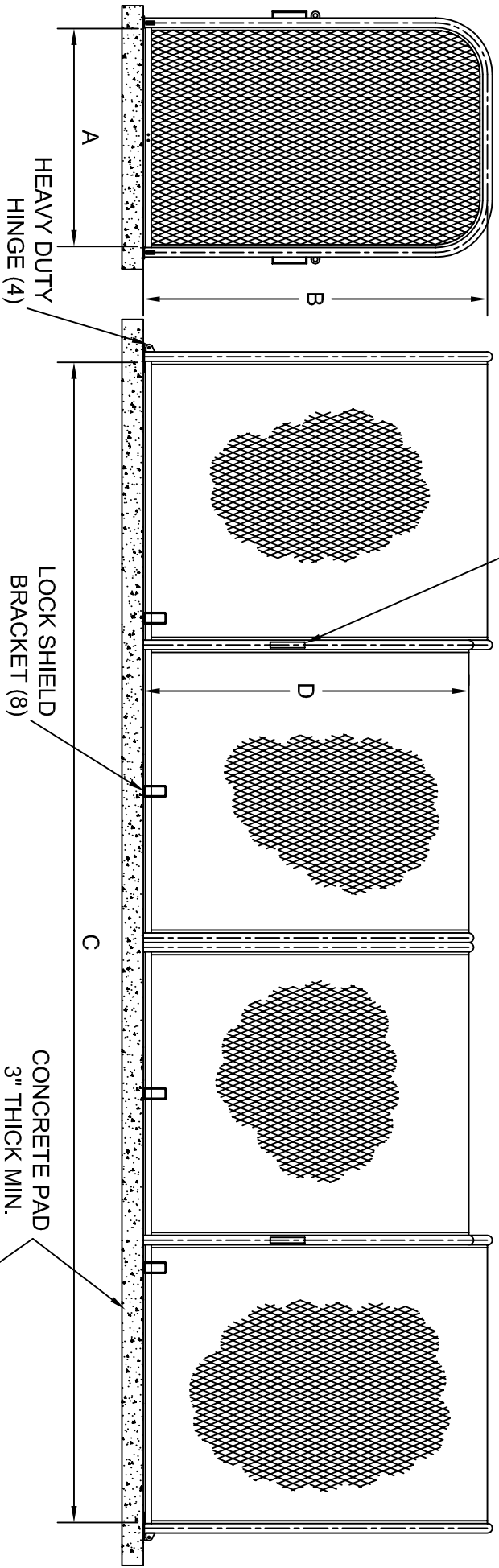
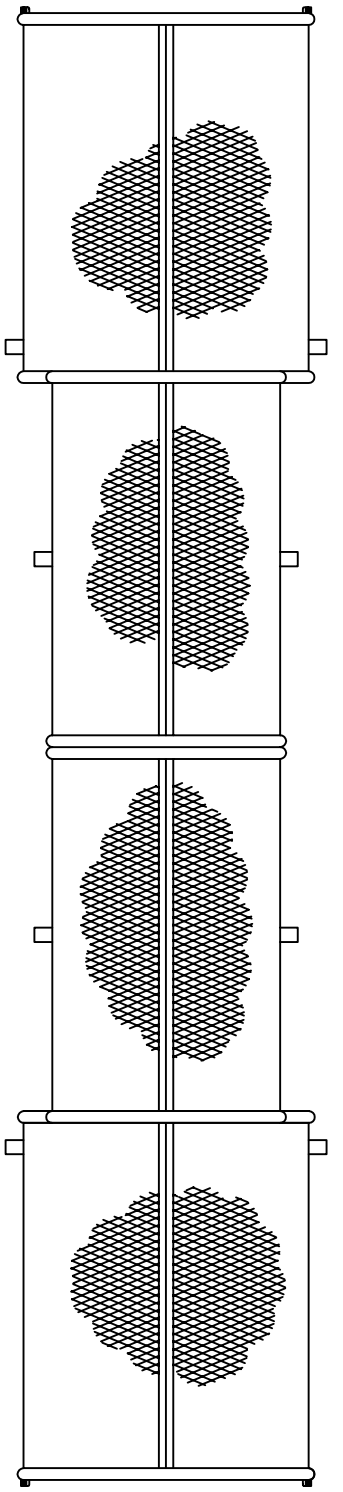
FOR SPECIFICATIONS SEE DRAWING BPD1-5.0



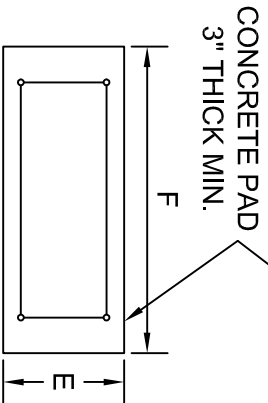
BACKFLOW PREVENTION DEVICE ENCLOSURES  
 3831 E. GROVE STREET  
 PHOENIX, ARIZONA 85040 (602) 426-1002

# GS-9 3 PIECE CLAMSHELL

SCALE: 1/2" = 1'  
 DETAIL NO. BPD1-042209  
 REV. 0



MODEL	A	B	C	D	E	F
GS-10	38"	60"	200"	56 3/4"	48"	212"

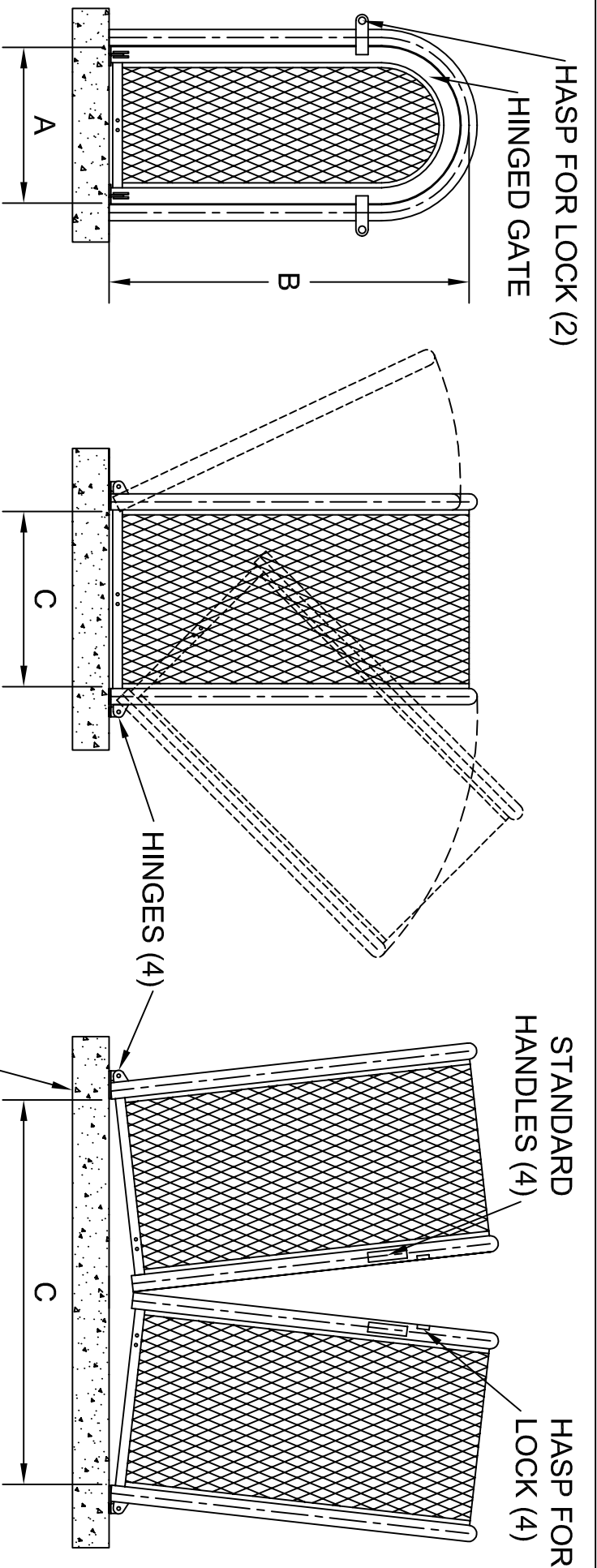


FOR SPECIFICATIONS SEE DRAWING BPD1-5.0

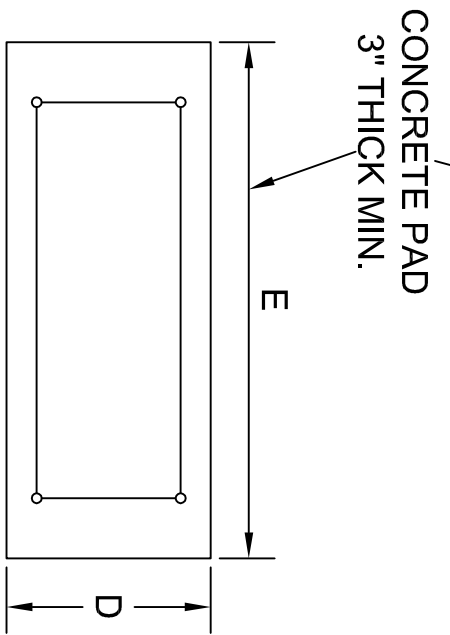
BACKFLOW PREVENTION DEVICE ENCLOSURES  
 3831 E. GROVE STREET  
 PHOENIX, ARIZONA 85040 (602) 426-1002

# GS-10 4 PIECE CLAMSHELL

SCALE: NTS  
 DETAIL NO.  
 BPD1-042209  
 REV. 0



INTERNAL DIMENSIONS					
	A	B	C	D	E
GS-M1	16"	37"	18"	26"	30"
GS-M2	16"	48"	18"	26"	30"
GS-M3	16"	37"	39 1/2"	26"	52"
GS-M4	16"	48"	39 1/2"	26"	52"

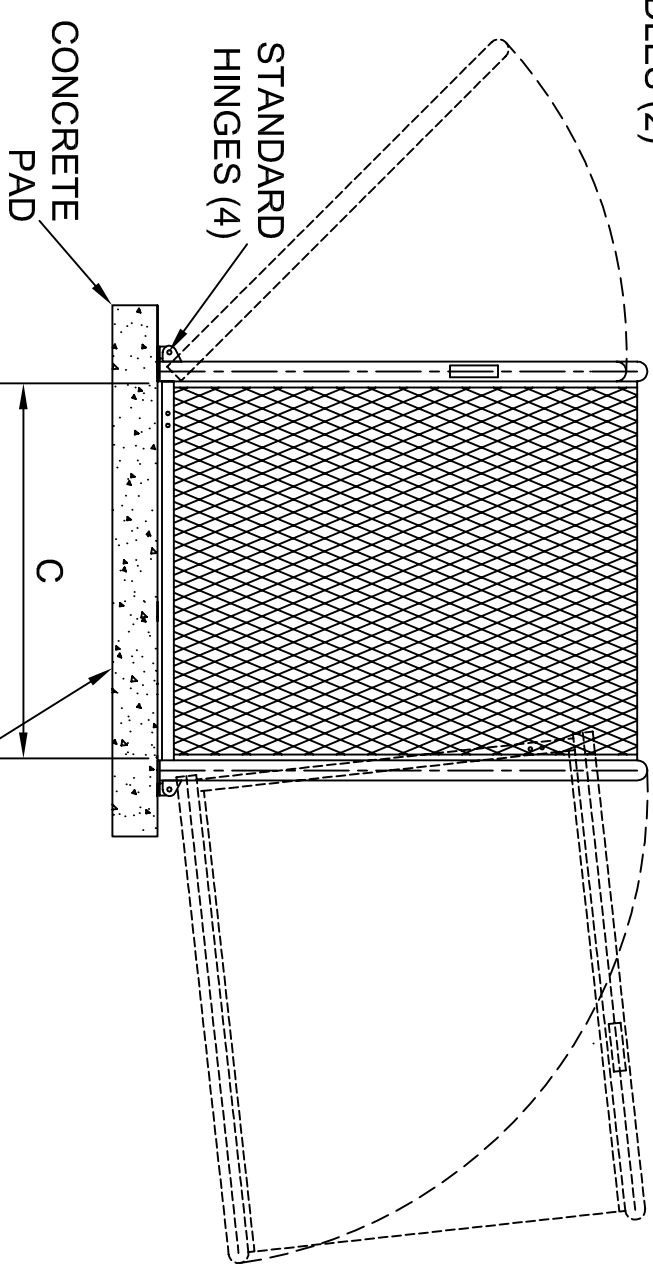
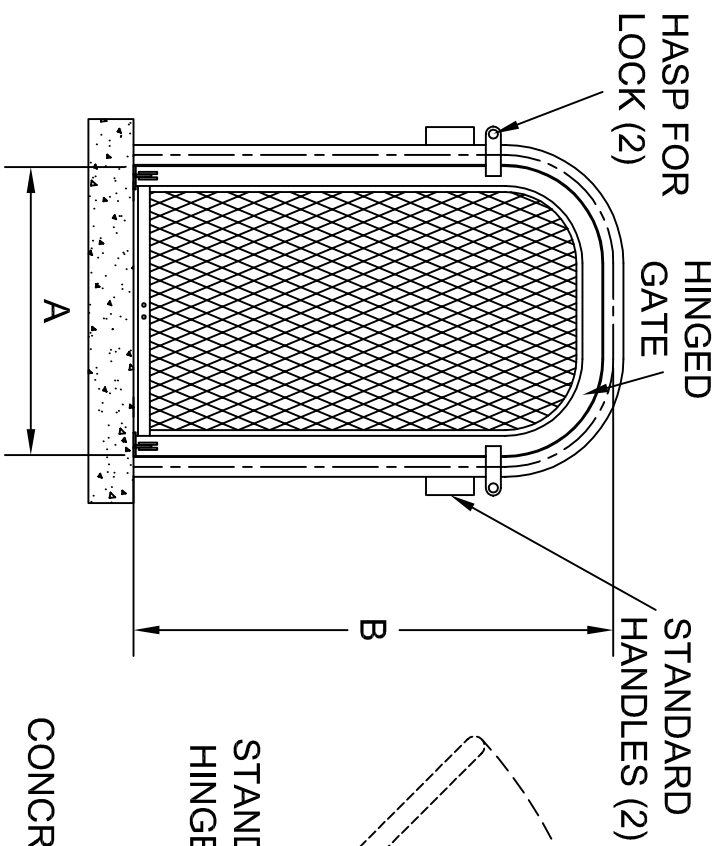


FOR SPECIFICATIONS SEE DRAWING BPD1-5.0

BACKFLOW PREVENTION DEVICE ENCLOSURES  
 3831 E. GROVE STREET  
 PHOENIX, ARIZONA 85040 (602) 426-1002

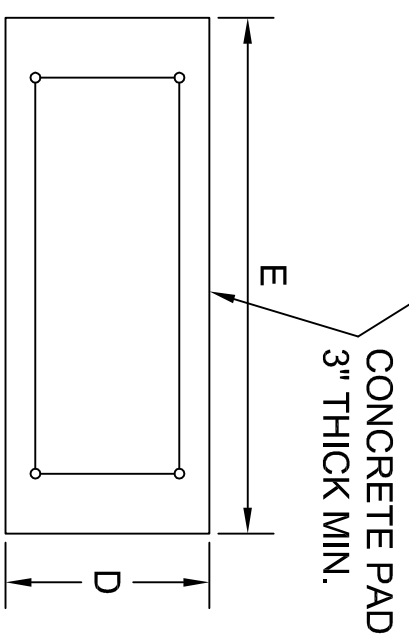
# GUARDSHACK™ M STYLE PAD SIZING

SCALE: 3/4" = 1'  
 DETAIL NO.  
 BPD1- 112508-3  
 REV. 0



**INTERNAL DIMENSIONS**

	A	B	C	D	E
GS-NP-1	24"	40"	31 1/4"	34"	43"
GS-NP-1.5	24"	40"	38 1/4"	34"	50"
GS-NP-2	30"	48"	47 1/2"	40"	60"
GS-NP-3	38"	60"	47 1/2"	48"	60"
GS-NP-3.5	38"	60"	58 1/4"	48"	70"

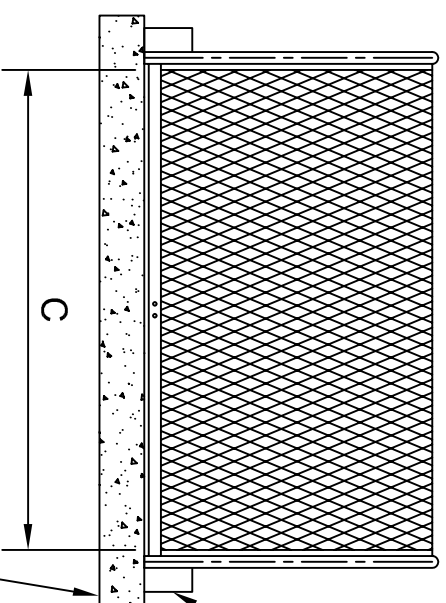
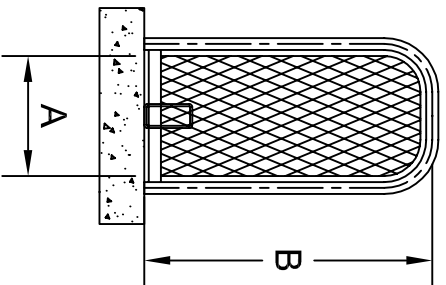


**FOR SPECIFICATIONS SEE DRAWING BPD1-5.0**

BACKFLOW PREVENTION DEVICE ENCLOSURES  
 3831 E. GROVE STREET  
 PHOENIX, ARIZONA 85040 (602) 426-1002

# GUARDSHACK™ NP STYLE PAD SIZING

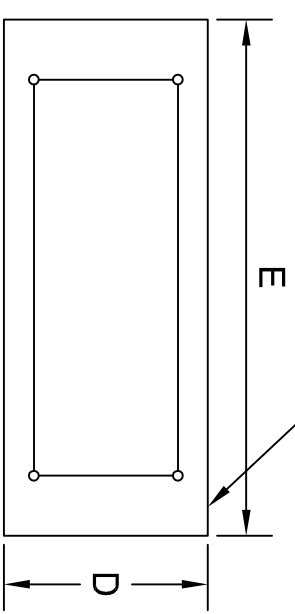
SCALE: 3/4" = 1'  
 DETAIL NO.  
 BPD1- 112508-3  
 REV. 0



WELD-ON  
LOCK SHIELD  
BRACKET (2)

CONCRETE PAD  
3" THICK MIN.

INTERNAL DIMENSIONS					
	A	B	C	D	E
EC-1	10"	24"	22"	20"	24"
EC-2	10"	24"	30"	20"	42"
EC-3	10"	24"	40"	20"	52"
EC-3.3	13"	30"	30"	24"	42"



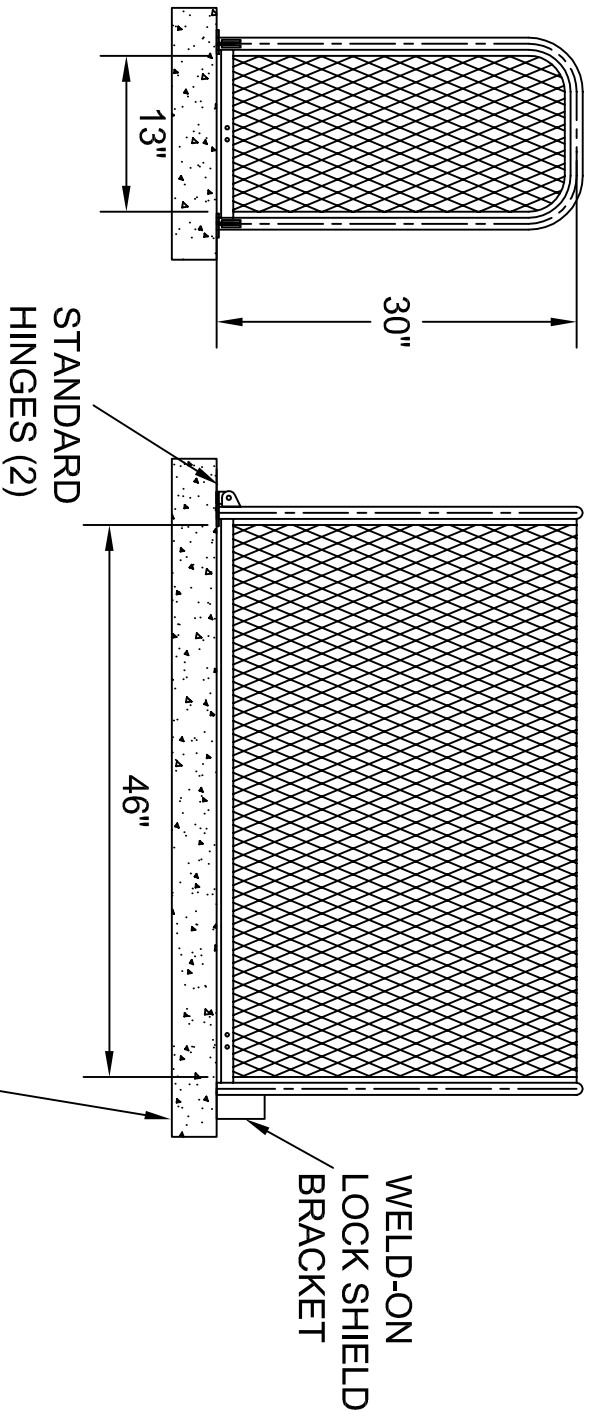
FOR SPECIFICATIONS SEE DRAWING BPD1-5.0

BACKFLOW PREVENTION DEVICE INNCLOSURES  
3831 E. GROVE STREET  
PHOENIX, ARIZONA 85040 (602) 426-1002

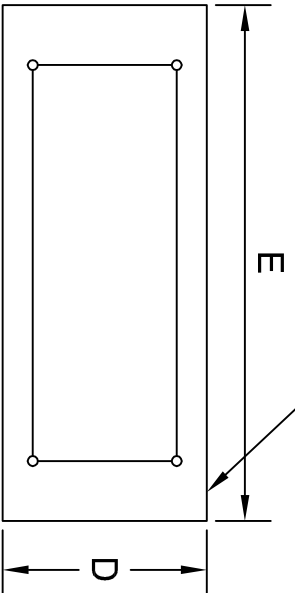
**GUARDSHACK™ SMALL ECONO**  
PAD SIZING

SCALE: 1" = 1'  
DETAIL NO.  
BPD1- 112508-1  
REV. 0





INTERNAL DIMENSIONS					
	A	B	C	D	E
EC-3.5	13"	30"	40"	24"	52"
EC-4	13"	30"	46"	24"	58"

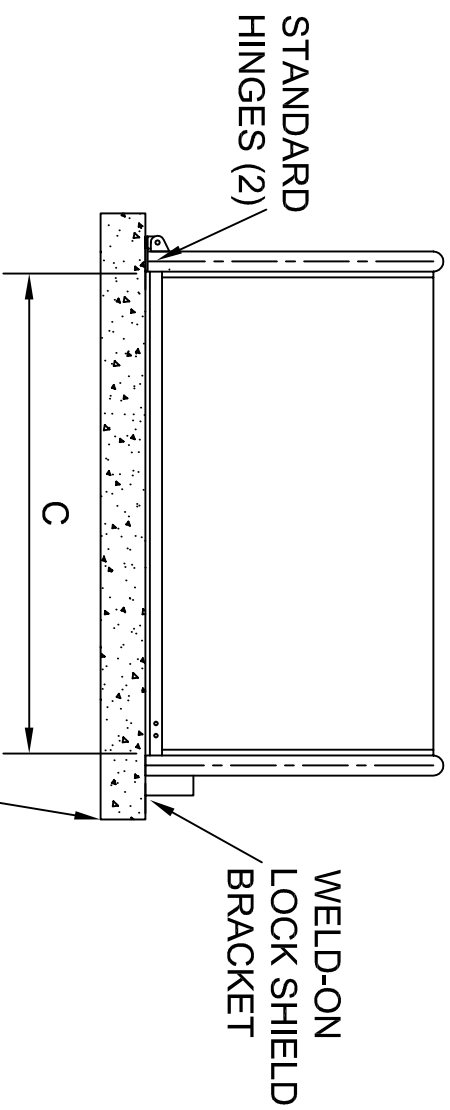
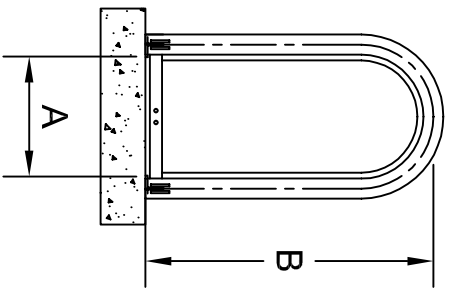


FOR SPECIFICATIONS SEE DRAWING BPD1-5.0

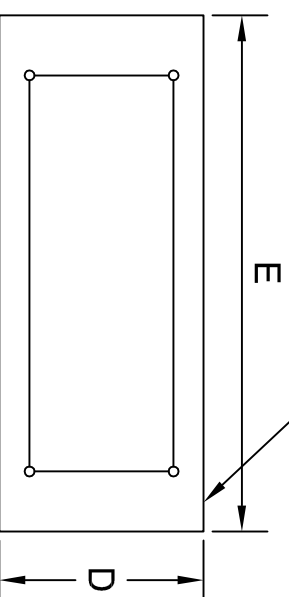
BACKFLOW PREVENTION DEVICE ENCLOSURES  
 3831 E. GROVE STREET  
 PHOENIX, ARIZONA 85040 (602) 426-1002

# GUARDSHACK™ HINGED ECONO PAD SIZING

SCALE: 1" = 1'  
 DETAIL NO.  
 BPD1- 112508-1  
 REV. 0



INTERNAL DIMENSIONS					
	A	B	C	D	E
PH-1	10"	24"	22"	20"	34"
PH-2	10"	24"	30"	20"	42"
PH-3	16"	30"	40"	26"	52"



FOR SPECIFICATIONS SEE DRAWING BPD1-5.0

BACKFLOW PREVENTION DEVICE ENCLOSURES  
 3831 E. GROVE STREET  
 PHOENIX, ARIZONA 85040 (602) 426-1002

**GUARDSHACK™ PUMPHOUSE ENCLOSURE**  
 PAD SIZING

SCALE: 1" = 1'  
 DETAIL NO.  
 BPD1- 112508-1  
 REV. 0