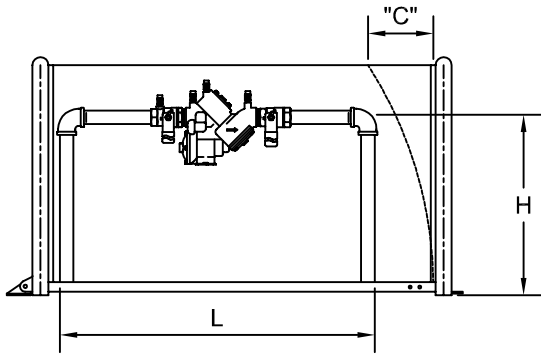


GUARDSHACK™ ENCLOSURE SUGGESTED ½" - 2" BACKFLOW ASSEMBLY SIZING CHART

GUARDSHACK MODEL WITH USABLE INTERNAL DIMENSIONS	WATTS/AMES		WATTS				FEBCO						WILKINS				CONBRACO			
	009/4000B		U009A		909		825Y		825YA		860		975XL		375		40-200		RP 4A	
	SIZE	LENGTH	SIZE	LENGTH	SIZE	LENGTH	SIZE	LENGTH	SIZE	LENGTH	SIZE	LENGTH	SIZE	LENGTH	SIZE	LENGTH	SIZE	LENGTH	SIZE	LENGTH
GS-1 LIFT OFF 10"W x 24"H x 22"L	¾"	19"	¾"	16 ½"			¾"	20"	¾"-1"	10 ½"	¾"	19"	¾"	20"	½"	17"			½"	19 ½"
			1"	16 ½"					1 ½"	14 ½"					¾"	17"			¾"	21"
			1 ½"	20"					2"	15"					1"	21 ¼"				
GS-2 LIFT OFF 10"W x 24"H x 30"L	1"	24 ½"	2"	24 ¾"	¾"	22 ½"	1"	23"			1"	22 ½"	1"	23"	1 ¼"	26"	¾"	22"	1"	24 ¾"
	1 ¼"	28 ½"			1"	25 ½"	1 ½"	28 ½"			1 ½"	28"	1 ¼"-1 ½"	29"	1 ½"-2"	29"	1"-1 ¼"	28 ½"		
GS-3 HINGED 10"W x 24"H x 40"L	1 ½"	29 ½"			1 ¼"	29 ½"	2"	31"			2"	31"	2"	31 ½"			1 ½"	31"	1 ¼"	29 ¾"
	2"	34 ½"			1 ½"-2"	32 ½"											2"	34 ½"	1 ½"-2"	34 ½"
GS-3.3 LIFT OFF 16"W x 30"H x 30"L	USE GS-3.3 ENCLOSURES TO PROTECT 2" AND SMALLER AIR/VACUUM RELIEF VALVES, ALSO EXTRA TALL RPs & PVBs. ALSO USE GS-3.3 ENCLOSURES TO PROTECT MULTIPLE BACKFLOW ASSEMBLIES IN ONE ENCLOSURE																			
GS-4 HINGED 16"W x 30"H x 46"L	USE GS-4 TO PROTECT EXTRA LONG DEVICES WITH STRAINERS, REGULATORS, ETC. ALSO USE GS-4 ENCLOSURES TO PROTECT MULTIPLE BACKFLOW ASSEMBLIES IN ONE ENCLOSURE.																			
GS-4.5 CLAMSHELL 16"W x 30"H x 64"L	USE GS-4.5 TO PROTECT EXTRA LONG DEVICES WITH STRAINERS, REGULATORS, ETC. ALSO USE GS-4.5 ENCLOSURES TO PROTECT MULTIPLE BACKFLOW ASSEMBLIES IN ONE ENCLOSURE.																			



IN DIAGRAM ABOVE, "C" EQUALS THE MINIMUM CLEARANCE REQUIRED TO OPEN A HINGED GS-3 AND GS-4. FOR MINIMUM CLEARANCE REQUIREMENTS FOR THESE MODELS, SEE SEPARATE CUT SHEET.

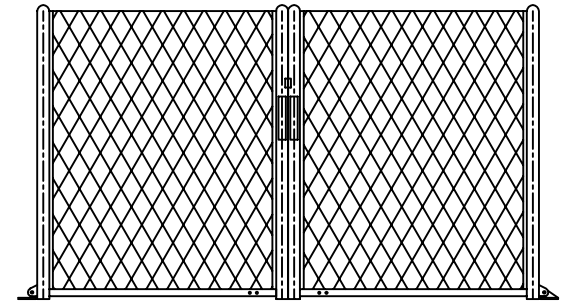
NOTES:

1. LENGTHS SHOWN FOR BACKFLOW ASSEMBLIES ARE BASED ON USING CLOSE NIPPLES AT THE DEVICE. ALWAYS CHECK THE INSTALLED LENGTH AND HEIGHT OF YOUR ASSEMBLY AGAINST THE INSIDE USABLE LENGTH AND HEIGHT OF THE GUARDSHACK.
2. TO REDUCE LENGTH, USE STREET 90'S. IN SOME INSTANCES, A SMALLER GUARDSHACK SIZE THAN THE ONE SHOWN CAN BE USED.
3. DO NOT CENTER A HINGED ENCLOSURE OVER A BACKFLOW ASSEMBLY. SET HINGED END OF ENCLOSURE CLOSE TO RISER FOR MAXIMUM CLEARANCE, SO ENCLOSURE WILL CLEAR ASSEMBLY WHEN OPENED.
4. FOR ¾"-2" PRESSURE VACUUM BREAKERS, (PVBs), USE GS-3.3.

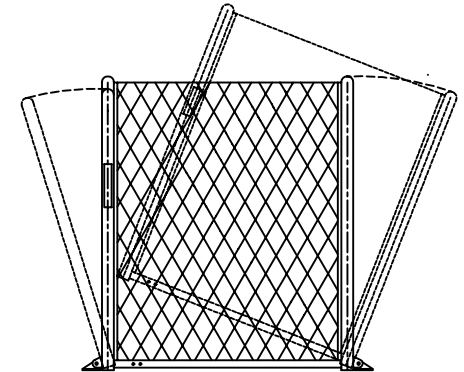
GUARDSHACK™ ENCLOSURE SUGGESTED 2 1/2"-10" BACKFLOW ASSEMBLY SIZING CHART

GUARDSHACK MODEL WITH USABLE INTERNAL DIMENSIONS	AMES		WATTS				FEBCO		WILKINS	
	2000SS/4000SS		757/774		909/709		860/850		375/350	
	SIZE	LENGTH	SIZE	LENGTH	SIZE	LENGTH	SIZE	LENGTH	SIZE	LENGTH
GS-5 CLAMSHELL 2PC 24"W x 40"H x 66"L	2 1/2"-3"	56 1/2"	2 1/2"-3"	56 1/2"	2 1/2"	58 1/4"	2 1/2"	51"	2 1/2"-3"	50 1/2"
	4" NRS	62"	4" NRS	62"	3"	61"	3"	60 1/4"	4" NRS	60"
	4"OS&Y*	62"	4"OS&Y*	62"					4"OS&Y*	60"
GS-6 CLAMSHELL 2PC 24"W x 40"H x 80"L	6NRS"	76"	6NRS"	76"	4" NRS	78"	4" NRS	69"	6"NRS	72"
					4"OS&Y*	78"	4"OS&Y*	69"		
GS-7 CLAMSHELL 2PC 30"W x 48"H x 99 1/2"L	6"OS&Y*	76"	6"OS&Y*	76"	6" NRS	94"	6" NRS	83"	6"OS&Y*	72"
	8"NRS	84 1/2"	8"NRS	84 1/2"	6"OS&Y*	94"	6"OS&Y*	83"	8"NRS	92"
	10"NRS*	94"	10"NRS*	96"			8"NRS	97"		
GS-8 CLAMSHELL 2PC 38"W x 60"H x 99 1/2"L	8"OSY*	84 1/2"	8"OSY*	84 1/2"			8"OSY*	97"		
							8"OS&Y*	92"		
GS-8.5 CLAMSHELL 2PC 38"W x 60"H x 120"L					8"NRS	111"	10"NRS	111"	10"NRS	103"
					8"OS&Y*	111"				
GS-9 CLAMSHELL 3PC 38"W x 60"H x 149 1/2"L					10"NRS*	131 1/2"				

ANGLE / N PATTERN	GS-NP1 GATE 24"W x 40"H x 31 1/4"L		GS-NP1.5 GATE 24"W x 40"H x 38 1/4"L		GS-NP2 GATE 30"W x 48"H x 47 1/2"L		GS-NP3 GATE 38"W x 60"H x 47 1/2"L		GS-NP3.5 GATE 38"W x 60"H x 58 1/4"L	
FEBCO 880/870	4"NRS	28"			4"OSY	6"NRS	6"OSY	10"NRS		
WILKINS 475/450	4"NRS	29"			4"OSY	6"NRS	6"OSY	8"NRS		



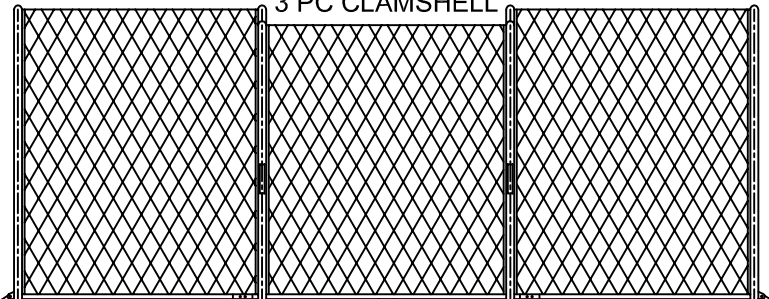
2 PC CLAMSHELL



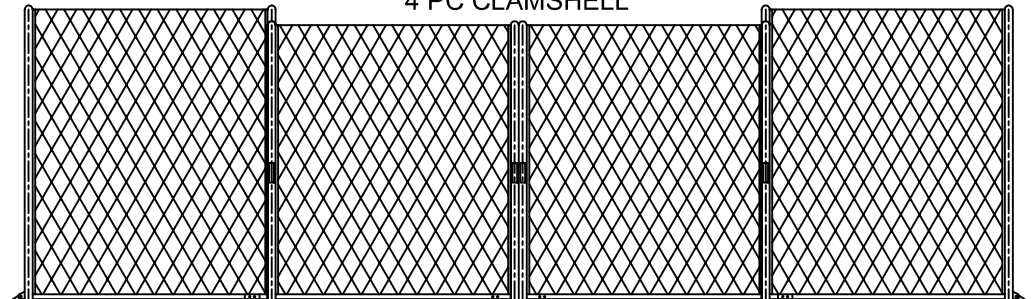
NP HINGED WITH GATE

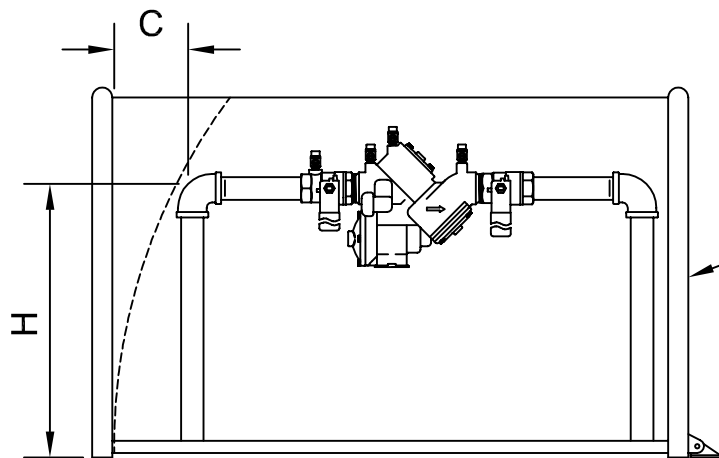
*EXTRA TALL CUSTOM UNIT MAY BE REQUIRED, CONSULT FACTORY.

3 PC CLAMSHELL



4 PC CLAMSHELL





PLACE BACKFLOW TO HINGED END FOR MAXIMUM CLEARANCE.

C IS THE MINIMUM CLEARANCE REQUIRED FOR HINGED MODELS

MODELS	H	C	H	C	H	C	H	C
GS-3 HINGED 10"W x 24"H x 40"L	16"	2 3/4"	18"	3 1/2"	20"	4 1/2"	22"	5 1/2"
EC-3.5 HINGED 13"W x 30"H x 40"L	22"	5 1/2"	24"	6 3/4"	26"	8 1/8"	28"	9 3/4"
GS-4 HINGED 16"W x 30"H x 46"L	22"	5 3/8"	24"	6 1/4"	26"	7 1/2"	28"	8 3/4"

BACKFLOW PREVENTION DEVICE INNCLOSURES
3831 E. GROVE STREET
PHOENIX, ARIZONA 85040 (602) 426-1002

CLEARANCE CHART

SCALE: 3/4" = 1'
DETAIL NO.
BPDI- 070908-1
REV. 0