

HK - 200

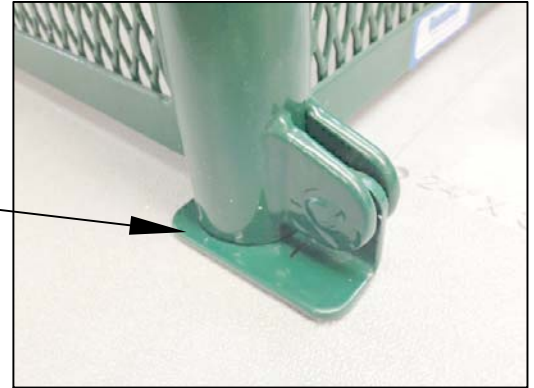
HARDWARE FOR GUARDSHACK™ HINGED MODELS



GuardshackEnclosures.com
(602) 426-1002
(800) 266-5411

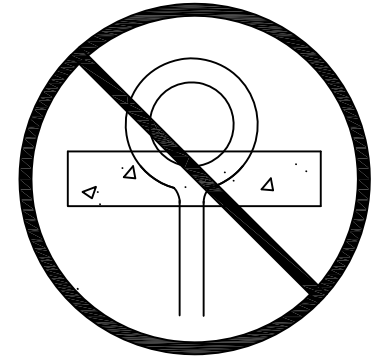
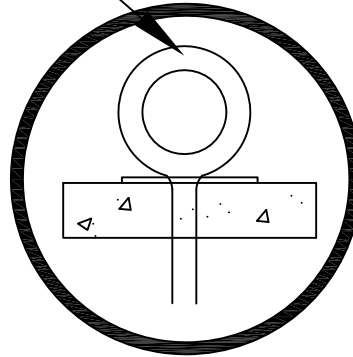
NEW IMPROVED
HIDDEN ANCHOR HINGE

NEW IMPROVED
FORGED EYEBOLT



RECOMMENDED INSTALLATION

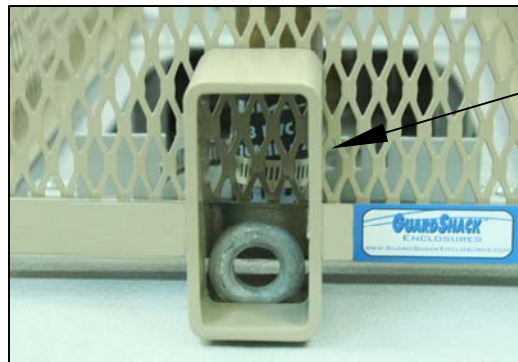
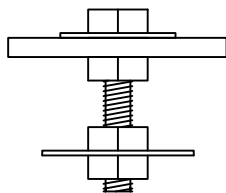
| | Qty | Dry Install |
|---|-----|---|
| ① | 1 | 3/8" x 2 1/2" Galvanized Forged Eyebolt |
| ② | 2 | 3/8" Stainless Hex Head Bolt |
| ③ | 3 | 3/8" Expansion Anchor |
| ④ | 3 | 1" Fender Washer |



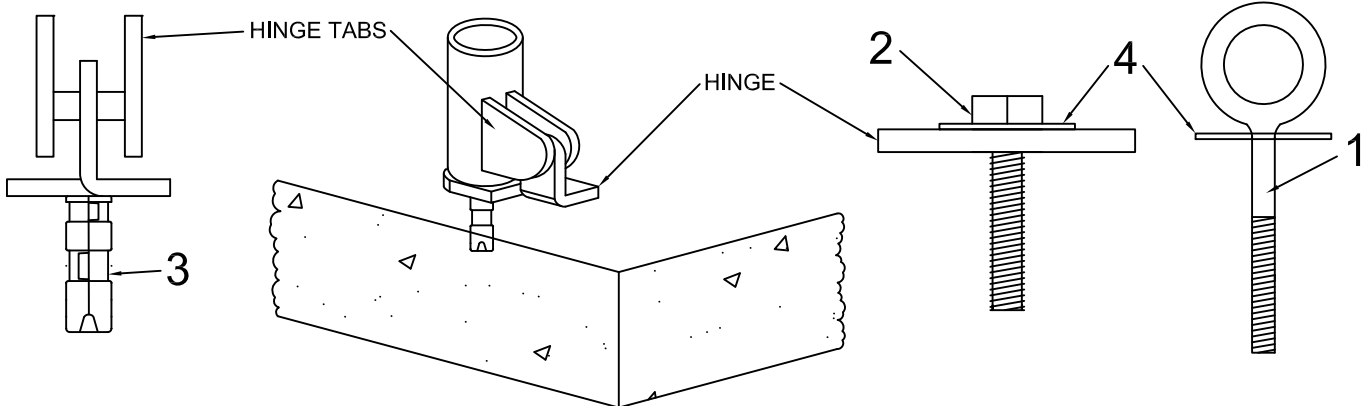
Installation Suggestion

Do not counter sink the EYE BOLT. Place washer so the entire eyelet is visible above the pad.

NOTE: For wet concrete installation you will need (7) 3/8" Hex Nuts and (3) 1 1/2" Washers. NOT PROVIDED IN THIS KIT



NEW IMPROVED
STANDARD LSB



Hardware will be furnished as shown on page 1 for installation.

To install unit on an existing concrete pad:

1) Place the enclosure on pad with hinges closest to the device. Mark location of hinges and Eye Bolt. FIG. 1 - FIG. 2

2) Hinge enclosure open and align with the existing hinge markings, then mark locations to be drilled for anchors. FIG. 1

3) Using a $\frac{5}{8}$ " concrete bit, drill holes for anchors a minimum of $2\frac{1}{2}$ " deep (3 per enclosure).

4) Insert $\frac{3}{8}$ " x 2" long bolts into washer and hinge as shown on page 1 then thread anchors partially onto bolt.

5) Insert bolts and anchors into holes, tap with hammer until flush, and tighten securely. FIG 3

To install unit on a new concrete pad:

1) You may use (7) $\frac{3}{8}$ " Hex Nuts and (3) $1\frac{1}{2}$ " Washers. See Page 1

