

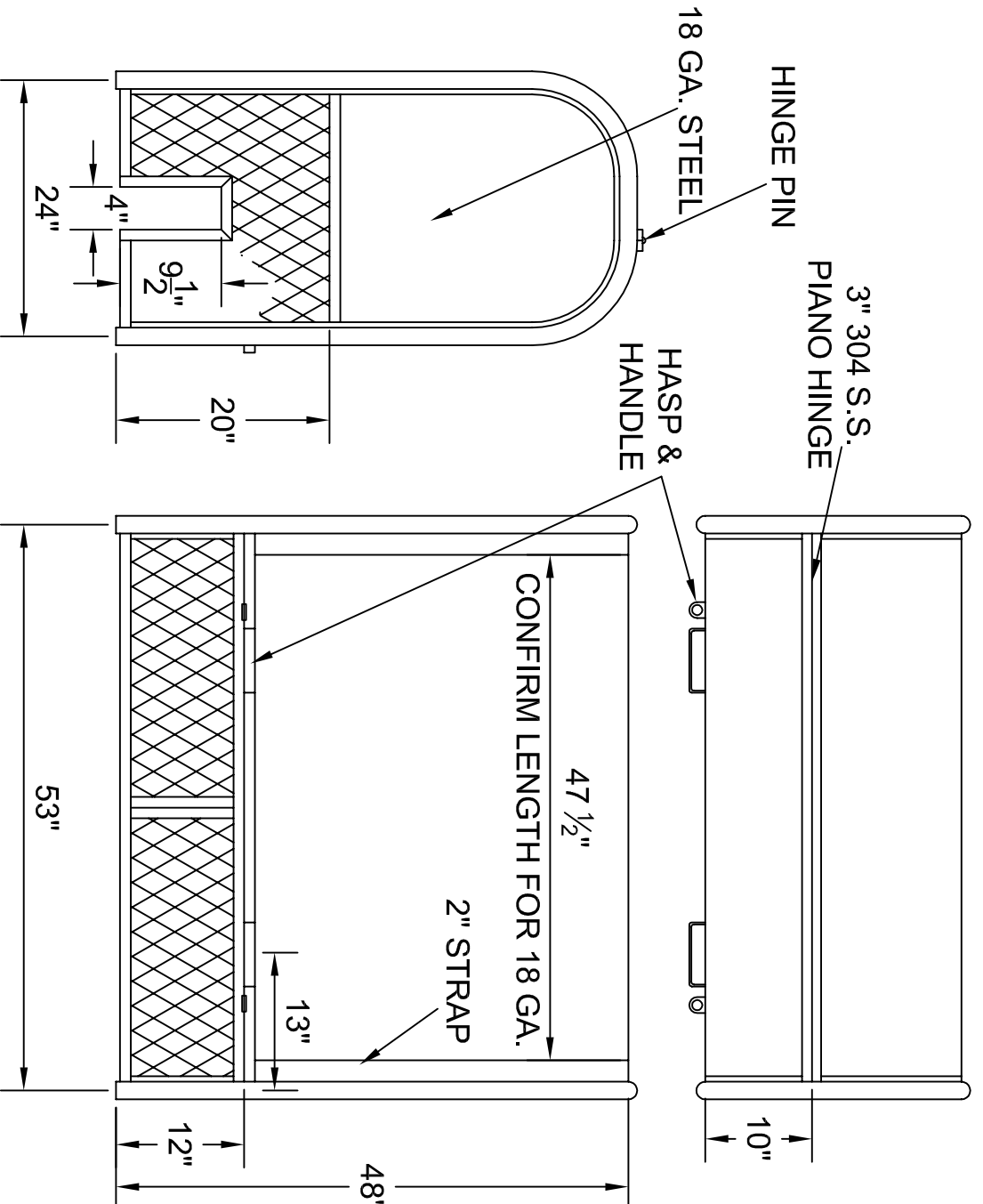
**SIGNATURE:**

**DATE:** / /

BACKFLOW PREVENTION DEVICE INNCLOSURES  
 3831 E. GROVE STREET  
 PHOENIX, ARIZONA 85040 (602) 426-1002

**CUSTOM AC ENCLOSURE**

SCALE: 1/2" = 1'  
 DETAIL NO.  
 BPDJ- 101008-1  
 REV. 0



**SIGNATURE:** / /

**DATE:** / /

BACKFLOW PREVENTION DEVICE ENCLOSURES  
 3831 E. GROVE STREET  
 PHOENIX, ARIZONA 85040 (602) 426-1002

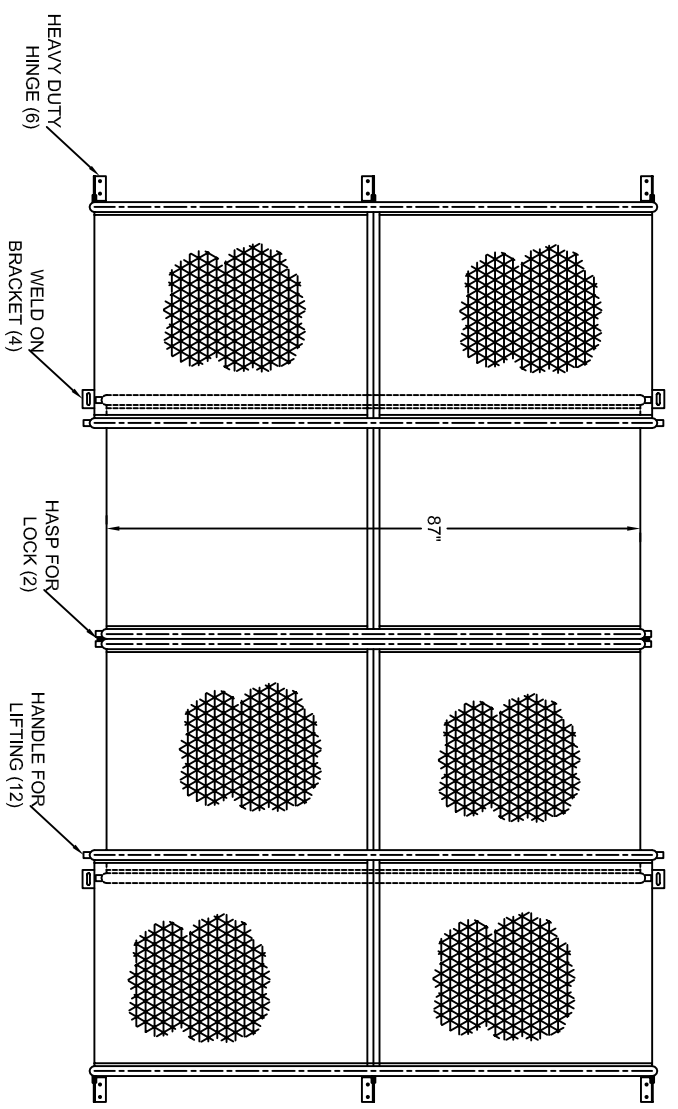
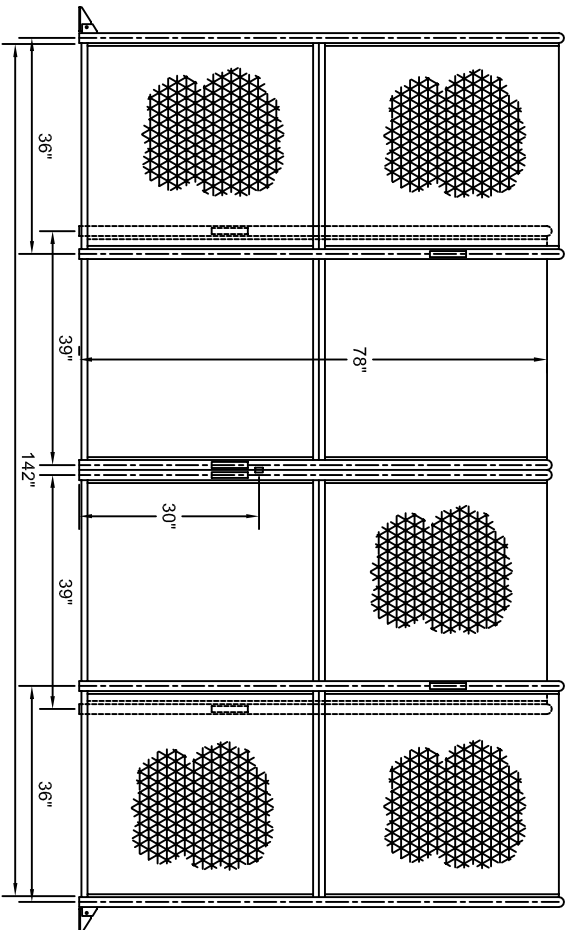
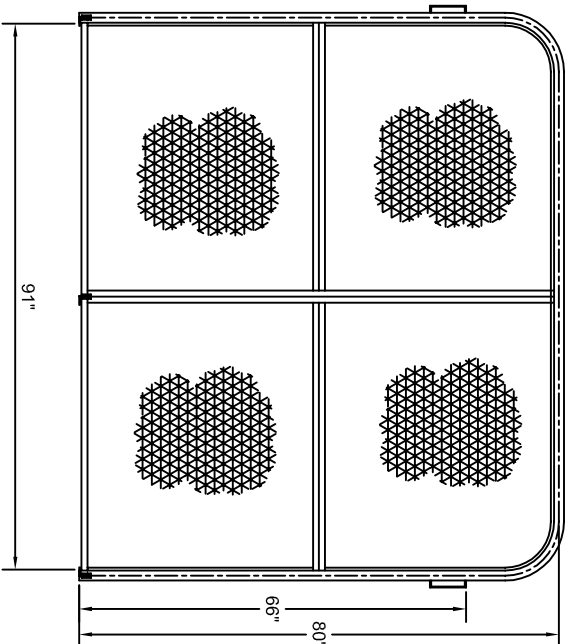
**CUSTOM SHOP**

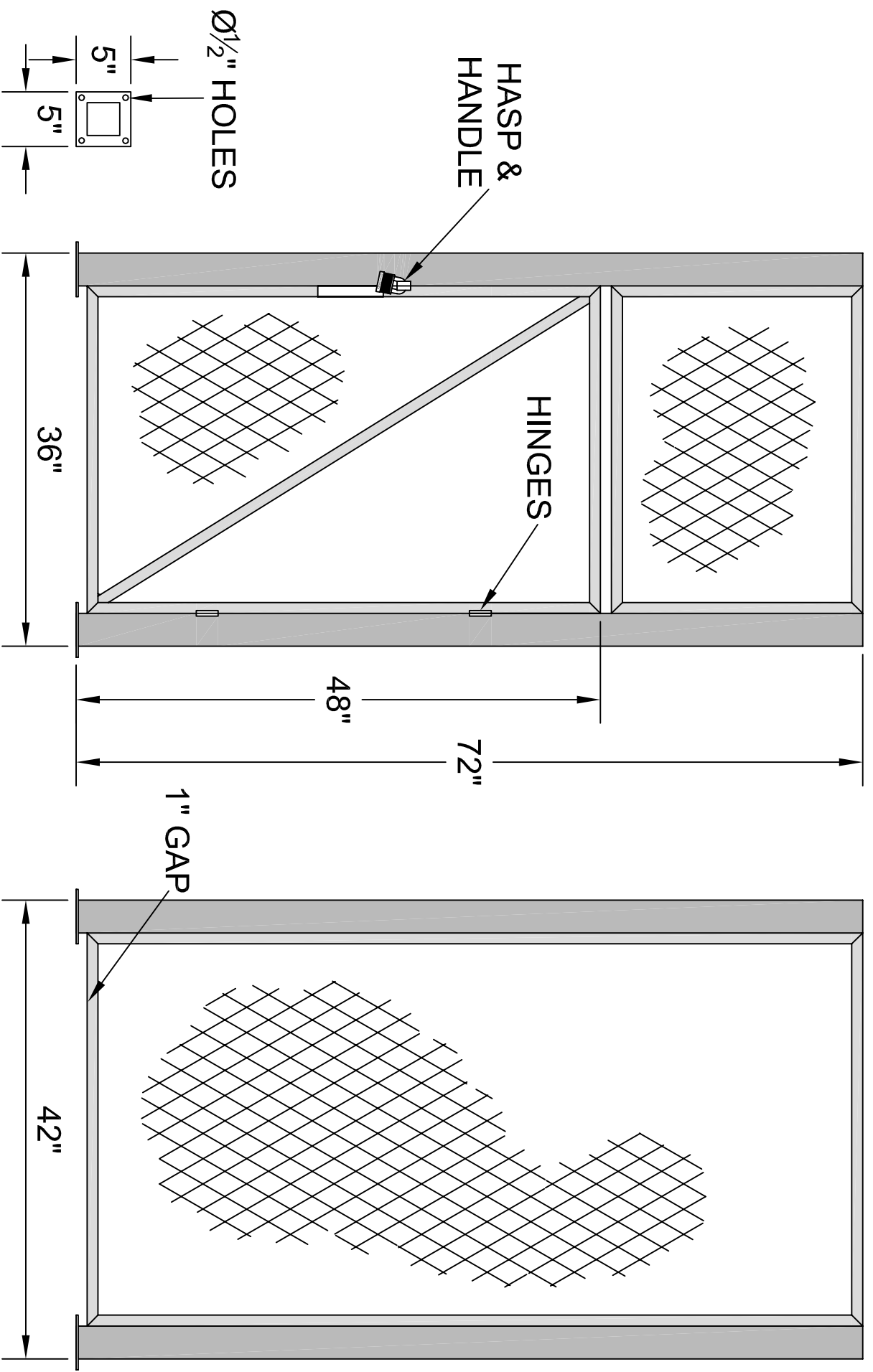
SCALE: 3/4" = 1'  
 DETAIL NO. BPD1-033009-2  
 REV. 0

BACKFLOW PREVENTION DEVICE ENCLOSURES  
3831 E. GROVE STREET  
PHOENIX, ARIZONA 85040 (602) 426-1002

# LARGE CUSTOM SHOP

SCALE: 3/8" = 1'  
DETAIL NO.  
BPD1-042409  
REV. 0

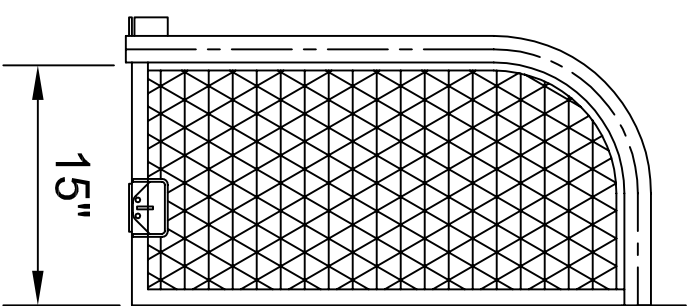
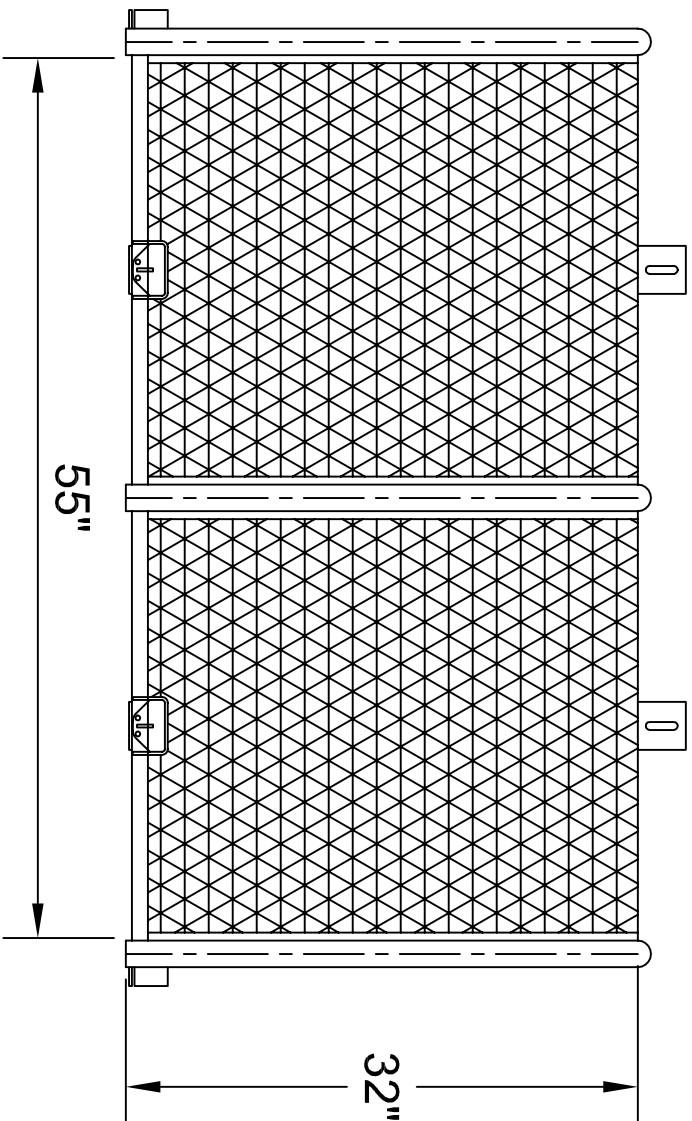




BACKFLOW PREVENTION DEVICE ENCLOSURES  
 3831 E. GROVE STREET  
 PHOENIX, ARIZONA 85040 (602) 426-1002

**CUSTOM SHOP 2**

SCALE: NTS  
 DETAIL NO.  
 BPD1- 042909  
 REV. 0



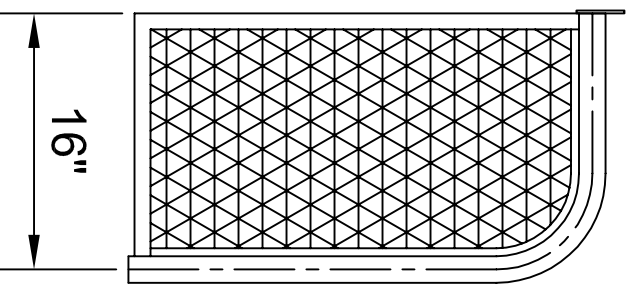
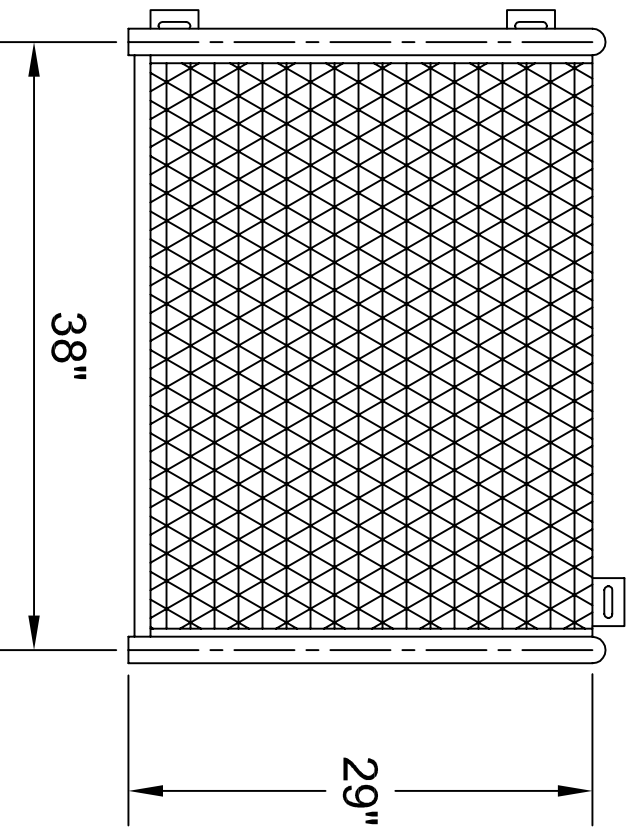
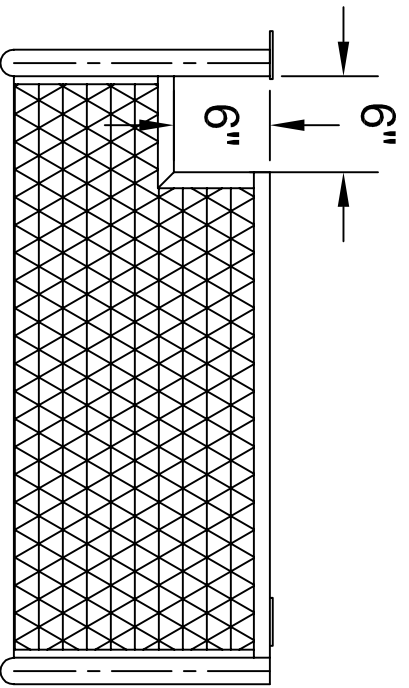
**SIGNATURE:** / /

**DATE:** / /

BACKFLOW PREVENTION DEVICE ENCLOSURES  
 3831 E. GROVE STREET  
 PHOENIX, ARIZONA 85040 (602) 426-1002

**CUSTOM WALL MOUNT**

SCALE: 1" = 1'  
 DETAIL NO.  
 BPD1-011609-2  
 REV. 0



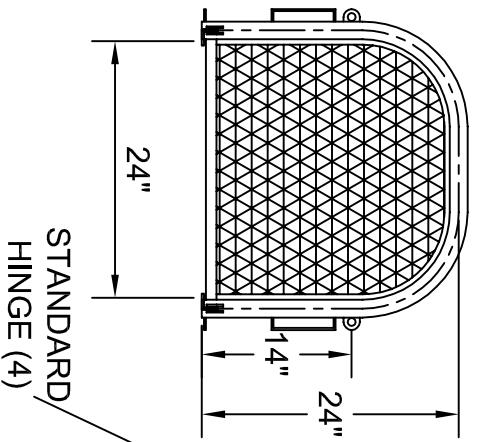
**SIGNATURE:**

**DATE:** / /

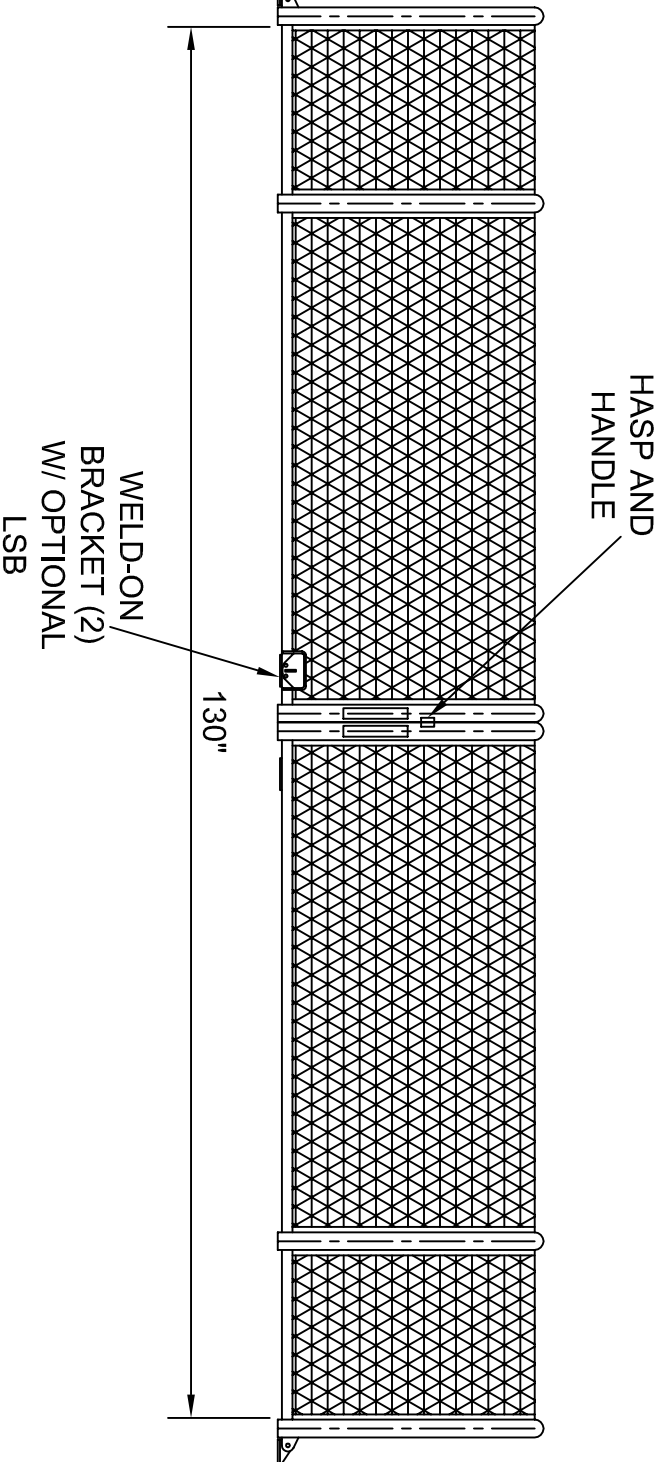
BACKFLOW PREVENTION DEVICE INNCLOSURES  
 3831 E. GROVE STREET  
 PHOENIX, ARIZONA 85040 (602) 426-1002

**CUSTOM WALL MOUNT W/ SLOT**

SCALE: 1" = 1'  
 DETAIL NO.  
 BPD1- 100608-3  
 REV. 0



STANDARD  
HINGE (4)



HASP AND  
HANDLE

WELD-ON  
BRACKET (2)  
W/ OPTIONAL  
LSB

130"

SIGNATURE: \_\_\_\_\_

DATE: / /

BACKFLOW PREVENTION DEVICE ENCLOSURES  
3831 E. GROVE STREET  
PHOENIX, ARIZONA 85040 (602) 426-1002

MULTIPLE BACKFLOW GS ENCLOSURE

SCALE: NTS  
DETAIL NO.  
BPD1-070209-4  
REV. 0