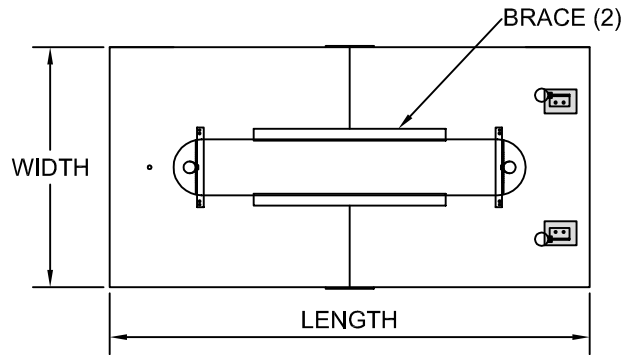
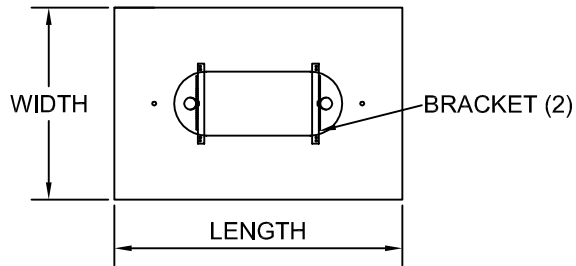
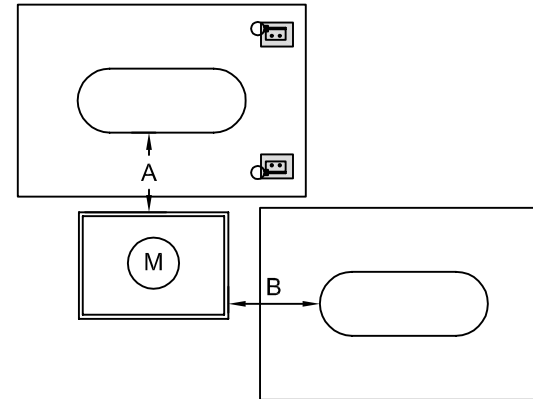


1 PIECE BASE



2 PIECE BASE



NOTES:

1. PADS ARE MOLDED POLYOLEFIN PLASTIC WITH U-V INHIBITORS AND ANTI-OXYDANT PROPERTIES.
2. ALL PADS ARE 3" HIGH, SURFACE DECK $\frac{5}{16}$ " THICK, MONOLITHIC RIBS $\frac{3}{8}$ " THICK, ON 6" CENTERS.
3. DECK REINFORCED WITH $\frac{3}{4}$ " THICK H.D.P.E. BLOCKS AT ALL HINGES.
4. EYE BOLTS FOR PADLOCKS ATTACHED TO RIBS OR BLOCK FOR MAXIMUM STRENGTH.
5. HARDWARE: PIPE $\frac{1}{2}$ " THRU 2", TYPE 304 S.S. ADJUSTABLE CLAMPS.

| MODELS | FITS - GUARDSHACK™/ COAST GUARDSHACK™/ ECONO CAGE™ | EncPad™ DIMENSIONS | BRACKET SIZE | BRACE SIZE | HOLE DIMENSION | MIN. CLEARANCES | |
|---------|---|-----------------------|-----------------|---------------|-------------------|-----------------|-----|
| | | | | | | A | B |
| EP-.5 | GS-.5 | 24"W X 24"L | 10" | N/A | 6"W X 8"L | 9" | 8" |
| EP-1 | GS-1/CGS-1/EC-1 | 24"W X 36"L | 10" | N/A | 8"W X 21"L | 8" | 8" |
| EP-2 | GS-2/CGS-2/EC-2/GS-3.3/CGS-3.3/EC-3.3 | 24"W X 42"L | 10" | N/A | 8"W X 29"L | 8" | 6" |
| EP-3 | GS-3/CGS-3 | 24"W X 48"L | 10" | N/A | 8"W X 38"L | 8" | 5" |
| EP-EC-3 | EC-3/EC-4 | 24"W X 48"L | 10" | N/A | 8"W X 38"L | 8" | 5" |
| EP-4 | GS-4/CGS-4 | 30"W X 60"L | 10" | 24" | 7"W X 44"L | 12" | 8" |
| EP-M1 | GS-M1/GS-M2/CGS-M1/CGSM2 | 30"W X 30"L | 10" | N/A | 8"W X 15"L | 11" | 8" |
| EP-M3 | GS-M3/GS-M4/CGS-M3/CGSM4 | 30"W X 60"L | 10" | 24" | 8"W X 36"L | 11" | 12" |

BACKFLOW PREVENTION DEVICE ENCLOSURES
3831 E. GROVE STREET
PHOENIX, ARIZONA 85040 (602) 426-1002

EncPad™ DIMENSIONAL SIZING CHART

SCALE: 1" = 1'
DETAIL NO.
BPDI- 010509
REV. 0