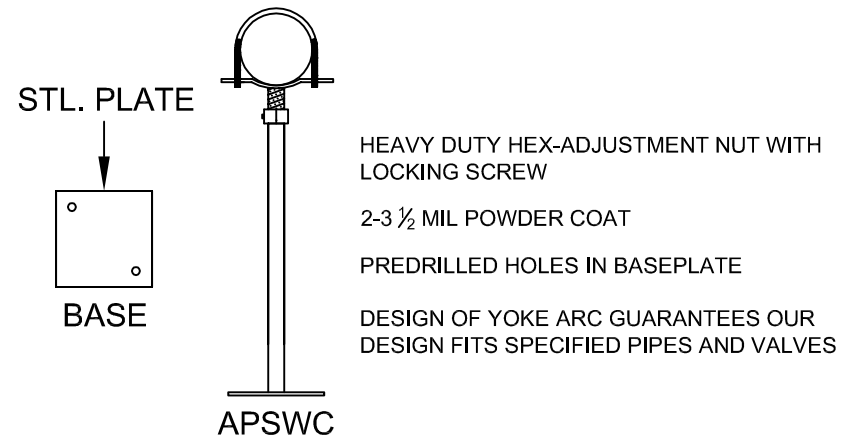


APS MODELS	SCH 40 PIPE	FACTORY ADJUSTABLE RANGE	FITS PIPE DIAMETER	BASEPLATE DIMENSIONS
APS-.5	1"	10"-16"	2 1/2"-4"	6" X 6" X 3/16"
APS-1	1"	18"-30"	2 1/2"-4"	6" X 6" X 3/16"
APS-4	1 1/2"	31"-36"	6"-10"	6" X 6" X 3/16"
APS-5	2"	31"-36"	12"-18"	8" X 8" X 1/4"



(AJUSTABLE PIPE SUPPORT WITH CLAMP OPTIONAL)

BACKFLOW PREVENTION DEVICE INNCLUSURES
 3831 E. GROVE STREET
 PHOENIX, ARIZONA 85040 (602) 426-1002

ADJUSTABLE PIPE SUPPORT SPEC SHEET

SCALE: 1" = 1'
 DETAIL NO.
 BPDI- 011409
 REV. 0