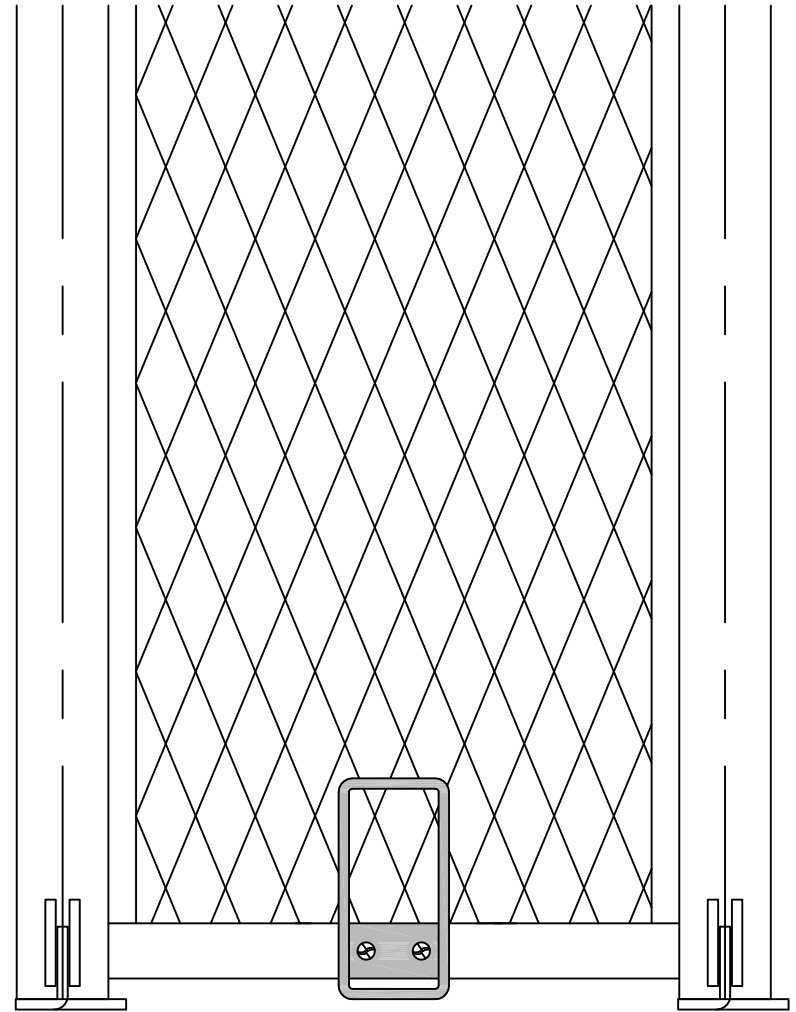
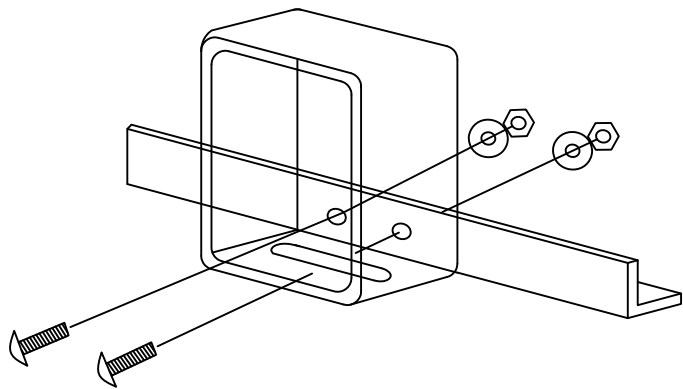


BACKFLOW PREVENTION DEVICE INNCLOSURES
3831 E. GROVE STREET
PHOENIX, ARIZONA 85040 (602) 426-1002

RETRO FIT LOCKSHIELD BRACKET (LSB)

SCALE: NTS
DETAIL NO.
BPDI- 070908-3
REV. 0



BPDI-GuardShack Enclosures
3831 E. GROVE STREET
PHOENIX, ARIZONA 85040 (602) 426-1002

BOLT ON CLAMKIT

SCALE: NTS
DETAIL NO.
BPDI- 120214-1
REV. 0